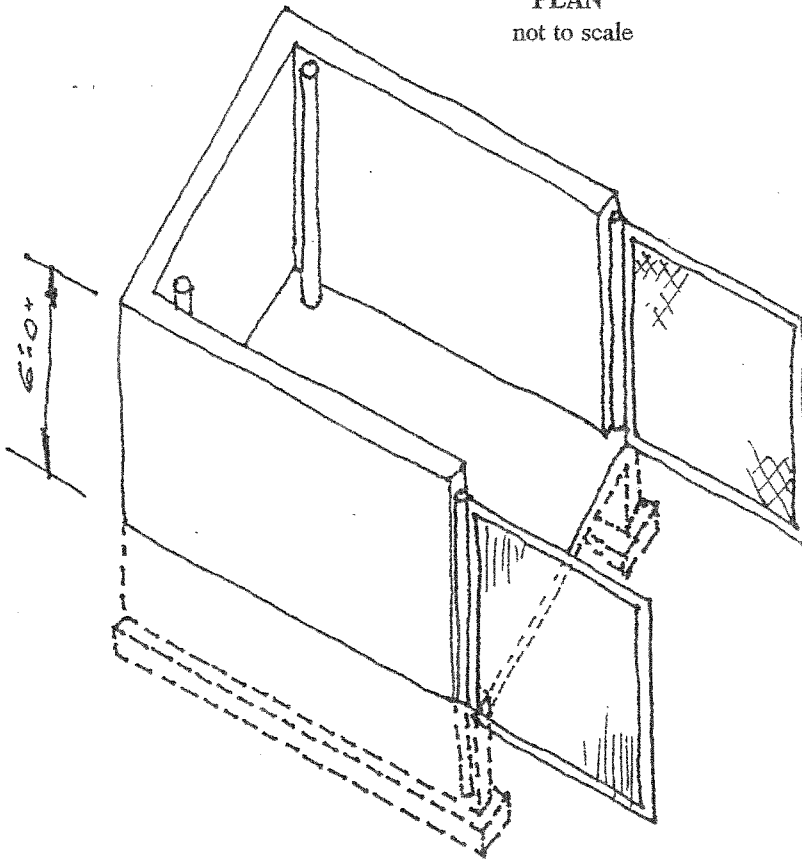


PLAN  
not to scale



ISOMETRIC  
not to scale

### TYPICAL ABACA APPROVED TRASH ENCLOSURE

Notes:

1. The face of the enclosure should be finished with material similar to that used on the main building.
2. The Building Inspector shall approve the construction methods and code compliance of all structures erected in Yorktown.
3. A mechanism for locking the gates in the open and closed position must be provided.