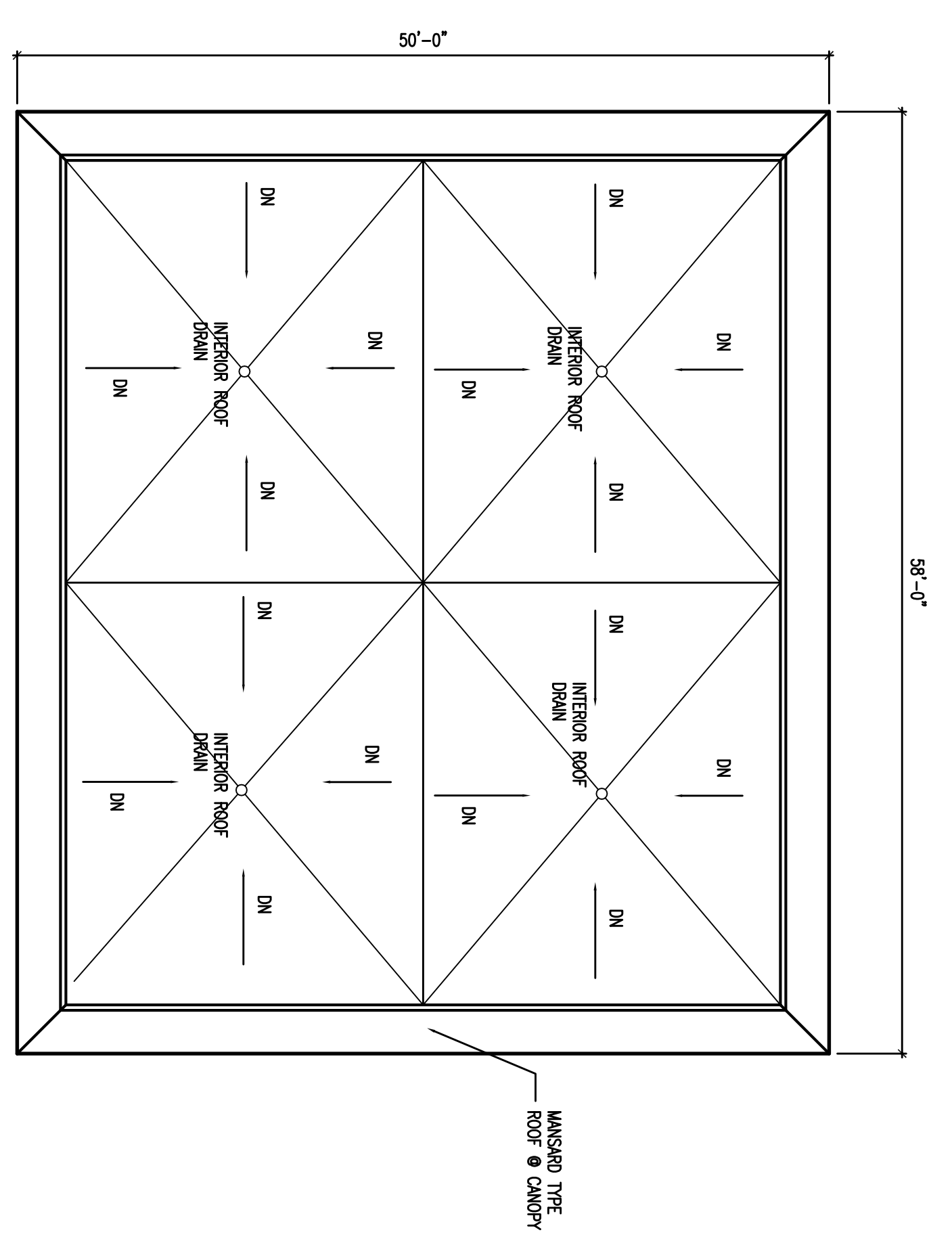
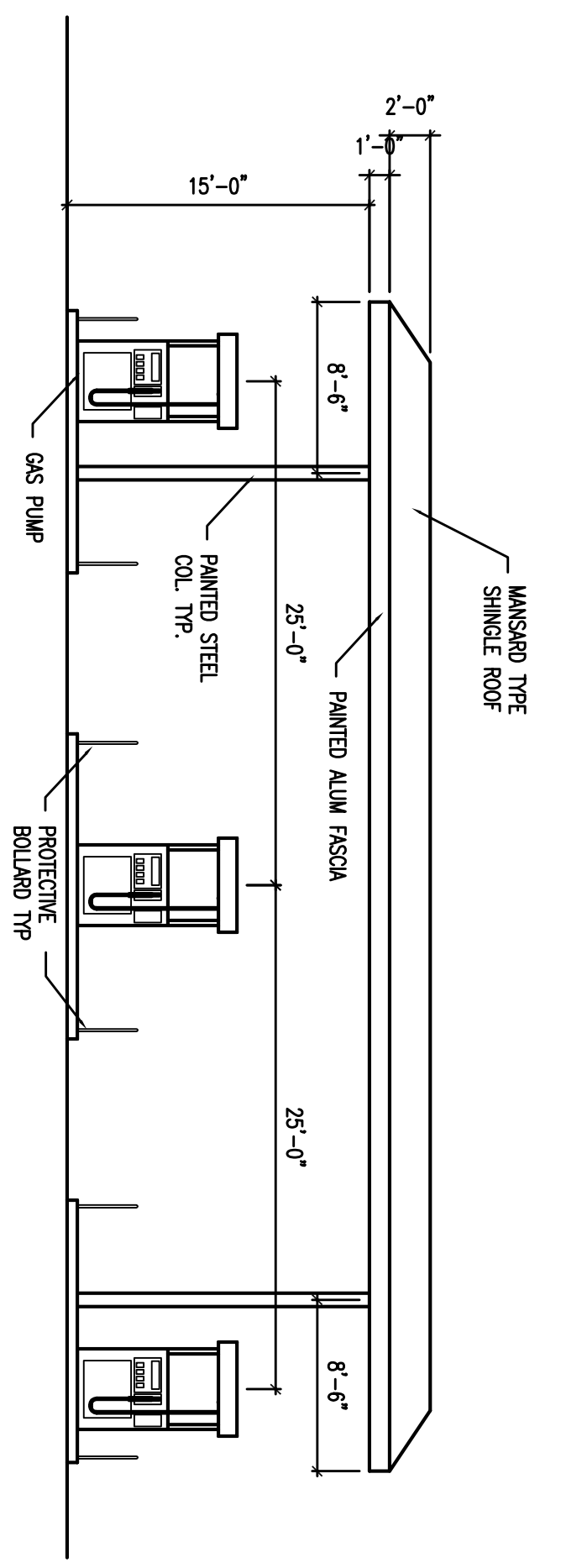


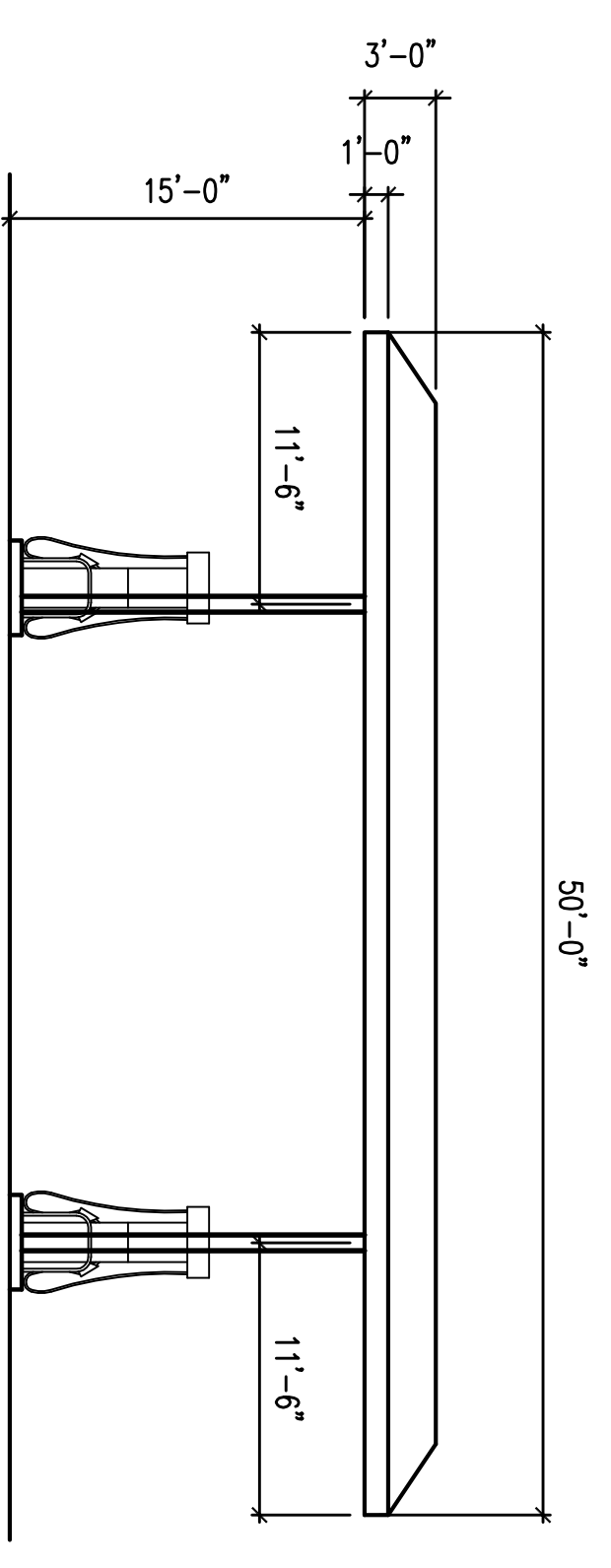
CANOPY PLAN
1/8"=1'-0"



CANOPY ROOF PLAN
1/8"=1'-0"



CANOPY FRONT ELEVATION
1/8"=1'-0"



CANOPY SIDE ELEVATION
1/8"=1'-0"

THIS DRAWING AND THE DESIGNS CONTAINED HEREIN ARE THE PROPERTY OF LEWIS C ROANE ARCHITECT. REPRODUCTION OR TRANSMISSION OF THIS DRAWING FOR ANY PURPOSE IS PROHIBITED.
© LEWIS C ROANE ARCHITECT

REVISION	DATE	ISSUE
	9/15/2017	ISSUED FOR PRELIMINARY FILING

LEWIS C ROANE
ARCHITECT
3 WINDSOR ROAD
CROTON-ON-HUDSON, NEW YORK
TEL (914) 330-1802
LEWISROANEDESIGN@GMAIL.COM

DATE	SEPTEMBER 15, 2017
SCALE	AS NOTED
PROJECT NO.	2017-023
DRAWING NUMBER	A-02

PROPOSED RENOVATION:
PINNACLE BRANDED LLC
3451 CROMPOUND ROAD
YORKTOWN, NY 10547

DRAWING TITLE
PROPOSED CANOPY