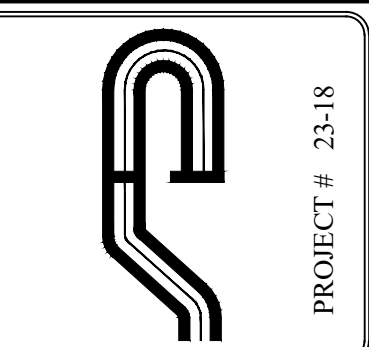


Appendix A
Revised Proposed Project Site Plan



Site Design Consultants
 Civil Engineers & Land Planners
 251-F Unshohli, Yorkville, New York, NY 10596
 (914) 362-4488, Fax: (914) 362-4786
 www.sitedesignconsultants.com



Revisions:	No.	Date	Comments:

Revisions:	No.	Date	Comments:

SCALE:	1" = 60'
DRAWN BY:	MA
DATE:	3/21/24

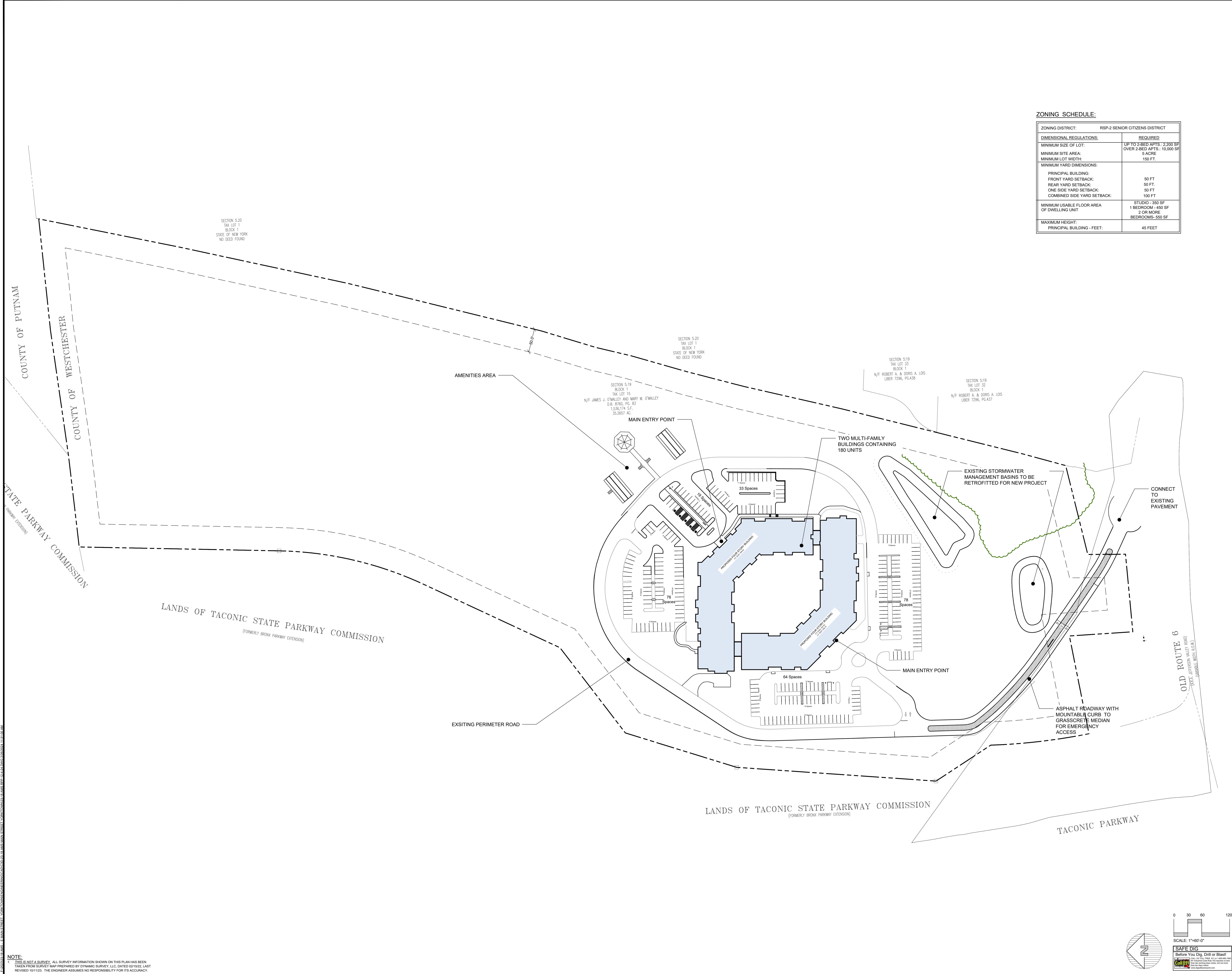
**SITE LAYOUT PLAN -
 REVISED PROPOSED
 PROJECT**

**CONCEPT PLAN
 PREPARED FOR**
**AMS YORKTOWN ACTIVE ADULT
 COMMUNITY**
 800 EAST MAIN STREET
 Westchester County, NY
 Town of Yorktown

Sheet **C-101.4**

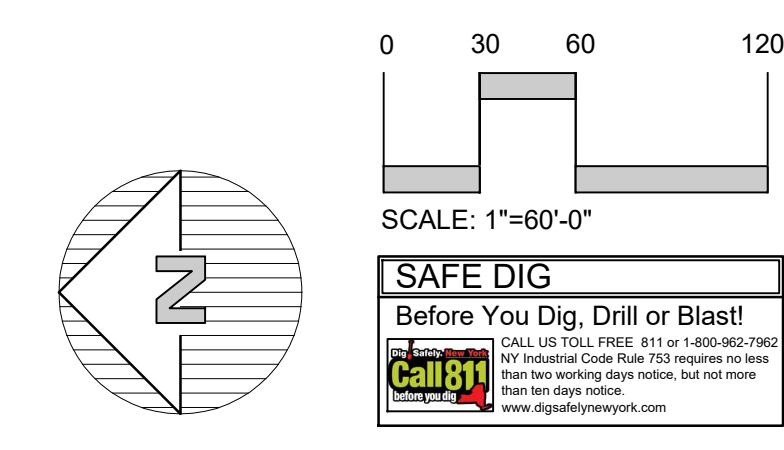
ZONING SCHEDULE:

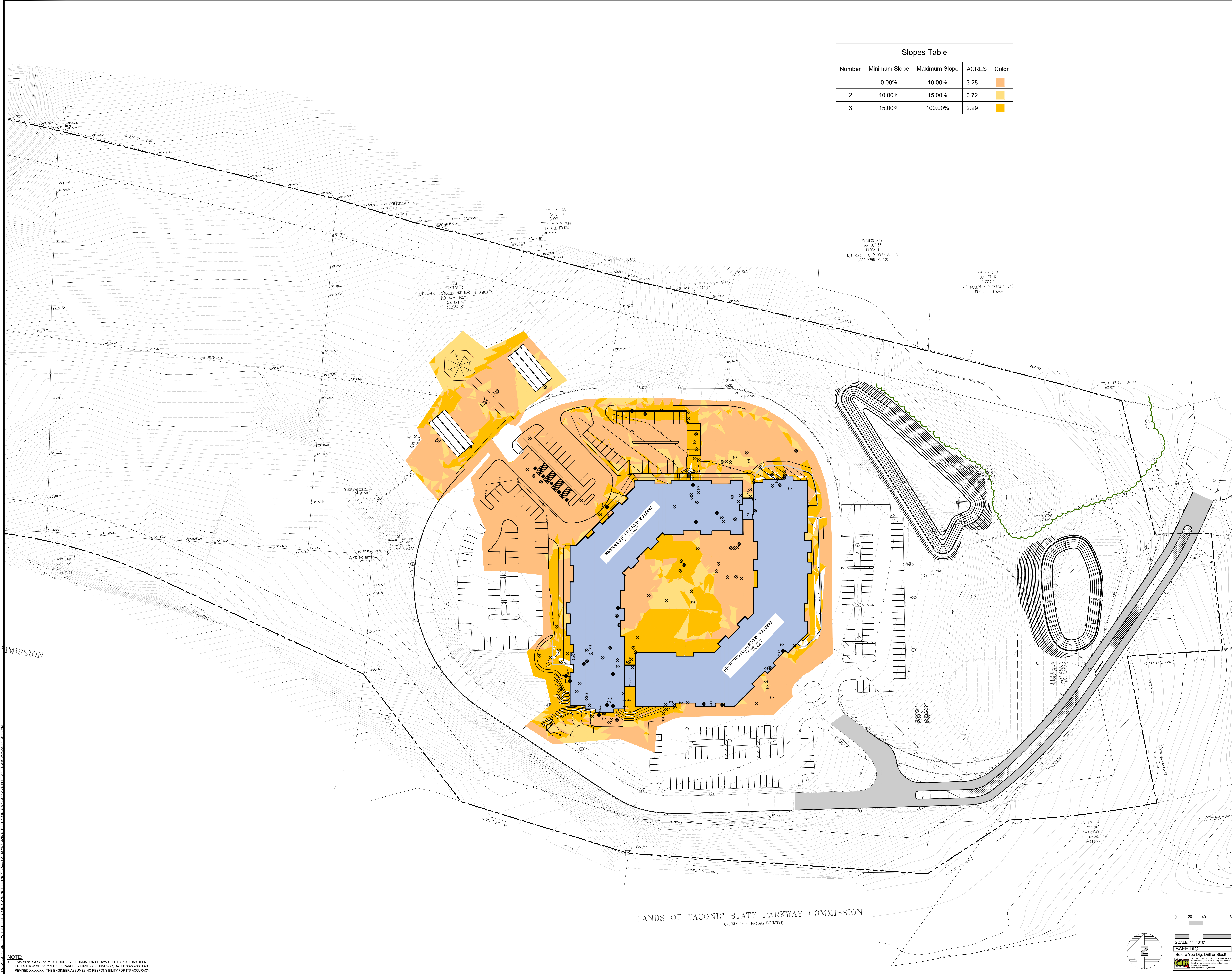
ZONING DISTRICT: RSP-2 SENIOR CITIZENS DISTRICT	
DIMENSIONAL REGULATIONS:	REQUIRED
MINIMUM SIZE OF LOT:	UP TO 2-BED APTS: 7,200 SF OVER 2-BED APTS: 10,000 SF
MINIMUM SITE AREA:	5 ACRE
MINIMUM LOT WIDTH:	150 FT.
MINIMUM YARD DIMENSIONS:	
PRINCIPAL BUILDING:	
FRONT YARD SETBACK:	50 FT.
REAR YARD SETBACK:	50 FT.
ONE SIDE YARD SETBACK:	100 FT.
COMBINED SIDE YARD SETBACK:	100 FT.
MINIMUM USABLE FLOOR AREA OF DWELLING UNIT:	STUDIO - 350 SF 1 BEDROOM - 450 SF 2 OR MORE BEDROOMS - 550 SF
MAXIMUM HEIGHT:	
PRINCIPAL BUILDING - FEET:	45 FEET



NOTE:
 1. THIS IS A SURVEY. ALL SURVEY INFORMATION SHOWN ON THIS PLAN HAS BEEN TAKEN FROM SURVEY MAP PREPARED BY DYNAMIC SURVEY, LLC, DATED 03/15/22, LAST REVISED 10/11/23. THE ENGINEER ASSUMES NO RESPONSIBILITY FOR ITS ACCURACY.

NOTE: UNAUTHORIZED ALTERATIONS OR ADDITIONS TO THIS DRAWING IS A VIOLATION OF SECTION 2209 (3) OF THE NEW YORK STATE EDUCATION LAW.

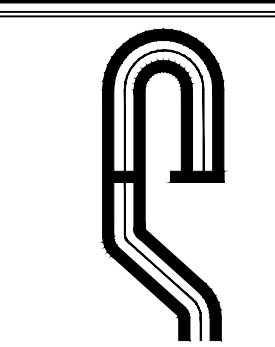




Slopes Table				
Number	Minimum Slope	Maximum Slope	ACRES	Color
1	0.00%	10.00%	3.28	Orange
2	10.00%	15.00%	0.72	Yellow
3	15.00%	100.00%	2.29	Dark Yellow


NOTE:
 1. THIS IS A SURVEY. ALL SURVEY INFORMATION SHOWN ON THIS PLAN HAS BEEN TAKEN FROM SURVEY MAP PREPARED BY NAME OF SURVEYOR DATED XXXXXX LAST REVISED XXXXXX. THE ENGINEER ASSUMES NO RESPONSIBILITY FOR ITS ACCURACY.

NOTE: UNAUTHORIZED ALTERATIONS OR ADDITIONS TO THIS DRAWING IS A VIOLATION OF SECTION 2209 (2) OF THE NEW YORK STATE EDUCATION LAW.



Site Design Consultants
 Civil Engineers & Land Planners
 251-F Unadilla, Yorktown Heights, NY 10596
 (914) 962-4488, Fax: (914) 962-2786
 www.sitedesignconsultants.com

PROJECT # 23-18



Professional Engineer
 Joseph C. Rima, P.E.
 License No. 11111

Revisions:

No.	Date	Comments

SCALE: 1" = 40'

DRAWN BY: MA

DATE: 3/21/24

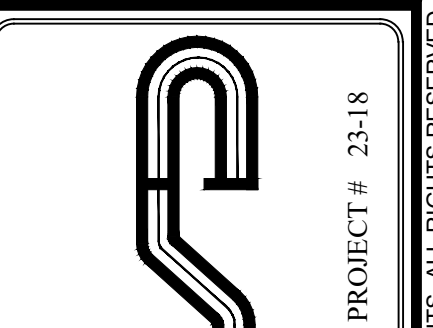
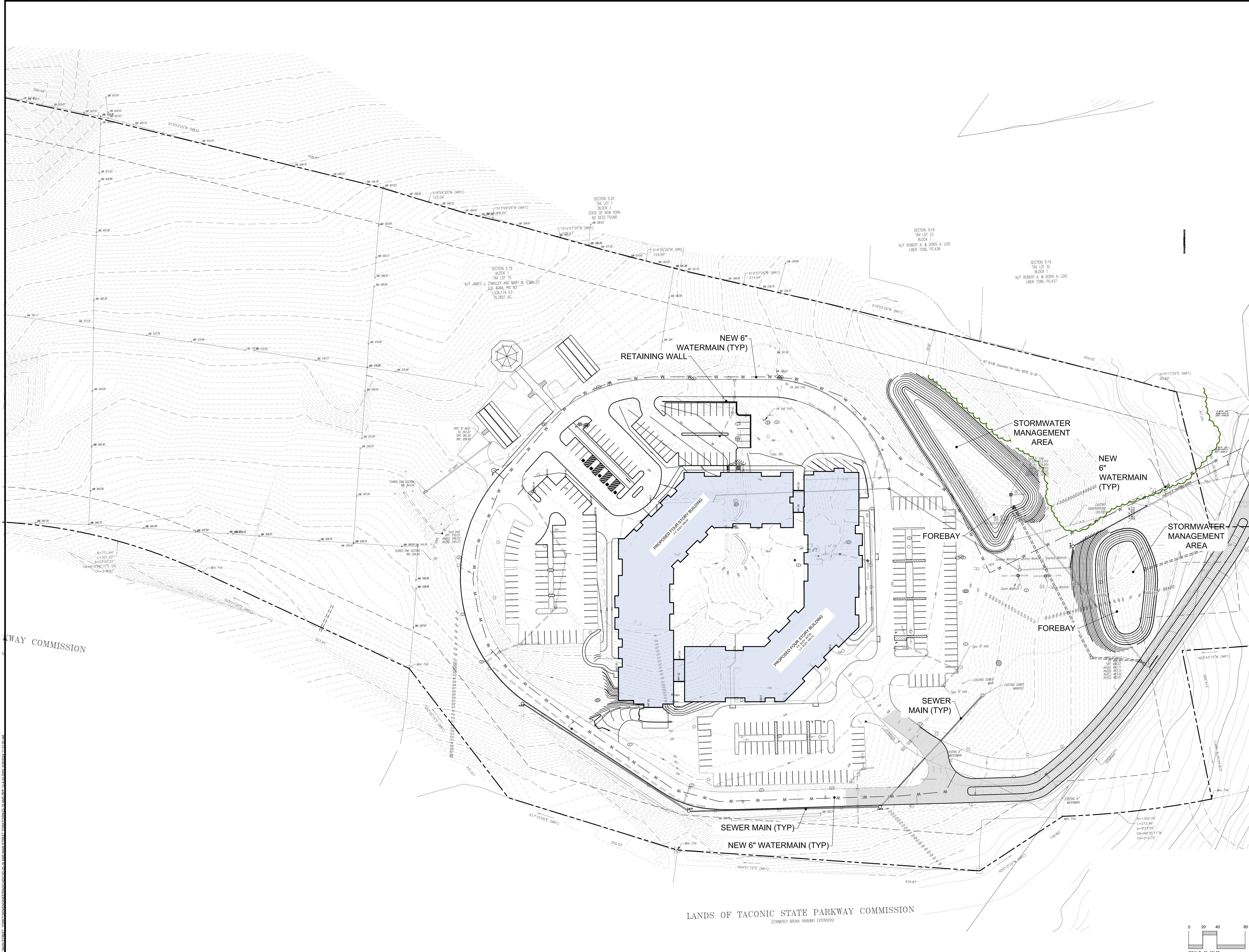
**SLOPE DISTURBANCE MAP -
 REVISED PROPOSED
 PROJECT**

CONCEPT PLAN
 PREPARED FOR
**AMS YORKTOWN ACTIVE ADULT
 COMMUNITY**
 800 EAST MAIN STREET
 Westchester County, NY
 Town of Yorktown

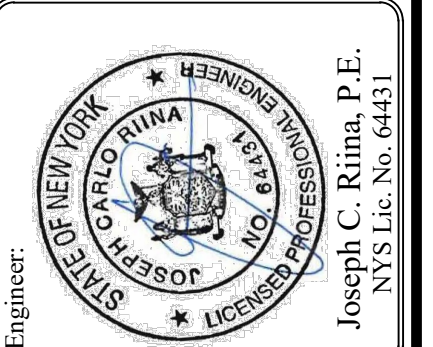
800 EAST MAIN STREET

LANDS OF TACONIC STATE PARKWAY COMMISSION
 (FORMERLY BROOK PARKWAY EXTENSION)

SAFE DIG
 Before You Dig, Drill or Blast
 Call 800-4-A-SAFE-DIG
 www.safe-dig.com



Site Design Consultants
Civil Engineers • Land Planners
251-F Underhill Avenue, Yorktown Heights, NY 10598
(914) 962-4488 Fax: (914) 962-7386
www.sitedesignconsultants.com



Revisions:	No.	Date:	Comments:

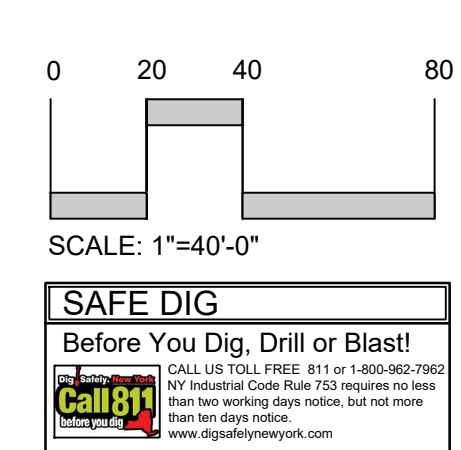
IMPROVEMENT PLAN -
REVISED PROPOSED
PROJECT

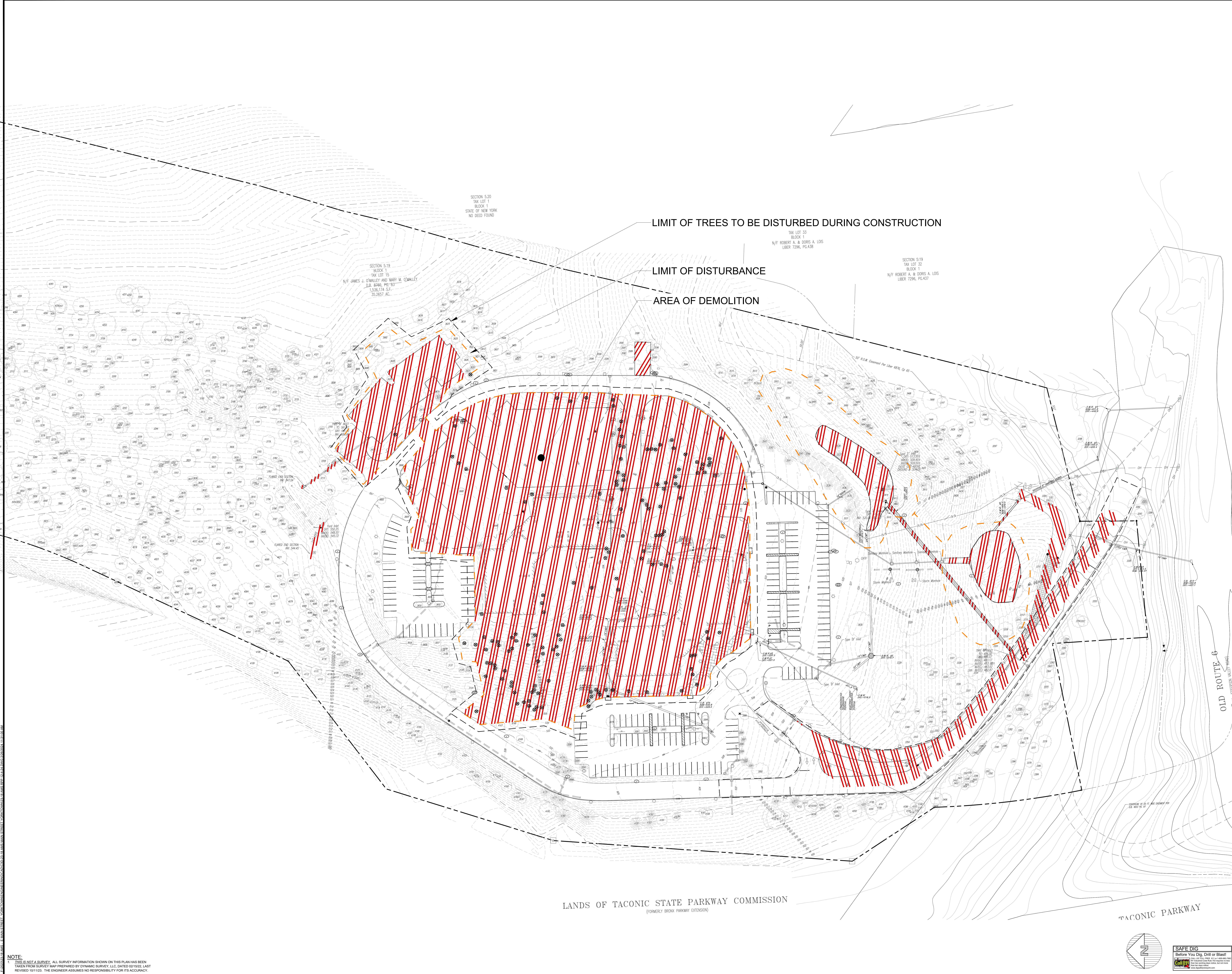
CONCEPT PLAN
PREPARED FOR
AMS YORKTOWN ACTIVE ADULT
COMMUNITY
800 EAST MAIN STREET
Town of Yorktown
Westchester County, NY

Sheet

NOTE:
THIS IS NOT A SURVEY. ALL SURVEY INFORMATION SHOWN ON THIS PLAN HAS BEEN
TAKEN FROM SURVEY MAP PREPARED BY DYNAMIC SURVEY, LLC DATED 02/15/22, LAST
REVISED 10/11/23. THE ENGINEER ASSUMES NO RESPONSIBILITY FOR ITS ACCURACY.

NOTE: UNAUTHORIZED ALTERATIONS OR ADDITIONS TO THIS DRAWING IS A VIOLATION OF SECTION 2209(2)(b) OF THE NEW YORK STATE EOC ADMIN. CODE.

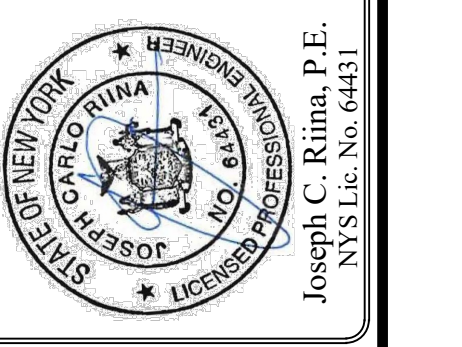




NOTE:
 1. THIS IS A SURVEY. ALL SURVEY INFORMATION SHOWN ON THIS PLAN HAS BEEN TAKEN FROM SURVEY MAP PREPARED BY DYNAMIC SURVEY, LLC, DATED 03/15/22, LAST REVISED 10/11/23. THE ENGINEER ASSUMES NO RESPONSIBILITY FOR ITS ACCURACY.

NOTE: UNAUTHORIZED ALTERATIONS OR ADDITIONS TO THIS DRAWING IS A VIOLATION OF SECTION 2203 (2) OF THE NEW YORK STATE EDUCATION LAW.

Site Design Consultants
 Civil Engineers & Land Planners
 251-F Unshohi, Yorktown Heights, NY 10596
 (914) 962-4488, Fax: (914) 962-7326
 www.sitedesignconsultants.com



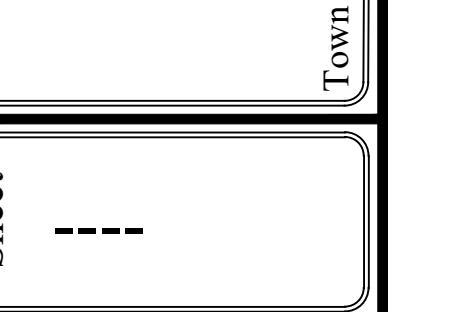
Revisions	No.	Date	Comments

Revisions	No.	Date	Comments

SCALE	1" = 40'
DRAWN BY	MA
DATE	3/21/24

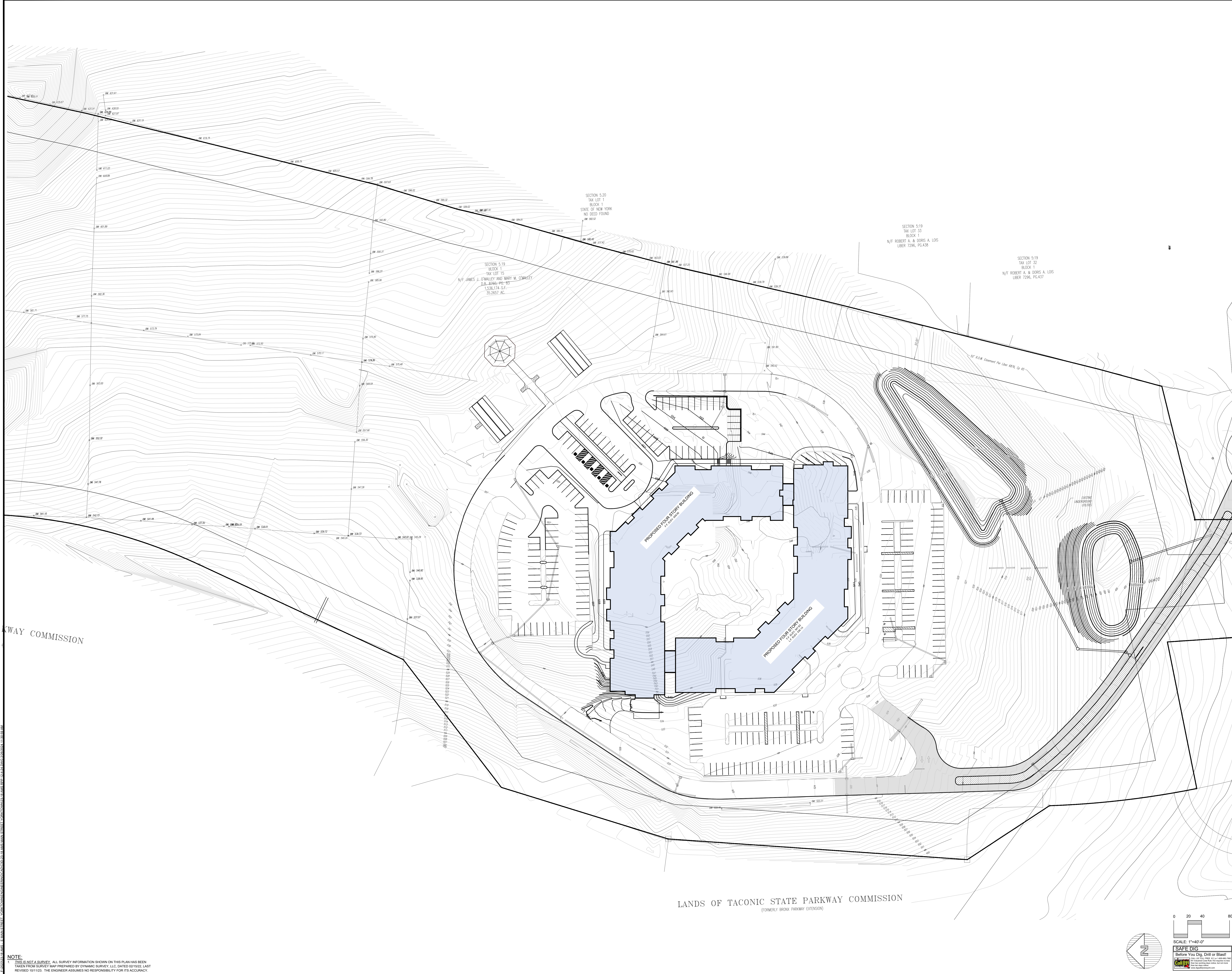
**DEMOLITION PLAN -
 REVISED PROPOSED
 PROJECT**

**AMS YORKTOWN ACTIVE ADULT
 COMMUNITY**
 800 EAST MAIN STREET
 Westchester County, NY
 Town of Yorktown



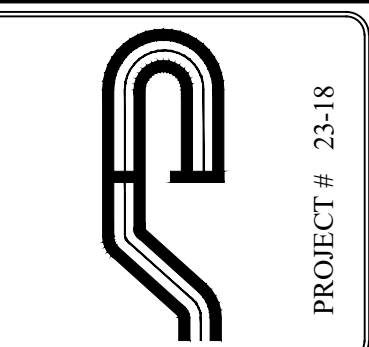
PROJECT # 23-18

COPYRIGHT © 2024 BY SITE DESIGN CONSULTANTS, ALL RIGHTS RESERVED



NOTE:
 1. THIS IS A SURVEY. ALL SURVEY INFORMATION SHOWN ON THIS PLAN HAS BEEN TAKEN FROM SURVEY MAP PREPARED BY DYNAMIC SURVEY, LLC DATED 03/15/22. LAST REVISED 10/11/23. THE ENGINEER ASSUMES NO RESPONSIBILITY FOR ITS ACCURACY.

NOTE: UNAUTHORIZED ALTERATIONS OR ADDITIONS TO THIS DRAWING IS A VIOLATION OF SECTION 2209 (2) OF THE NEW YORK STATE EDUCATION LAW.



Site Design Consultants
 Civil Engineers & Land Planners
 251-F Unkles Hill, Yorktown Heights, NY 10596
 (914) 962-4488, Fax: (914) 962-7376
 www.sitedesignconsultants.com

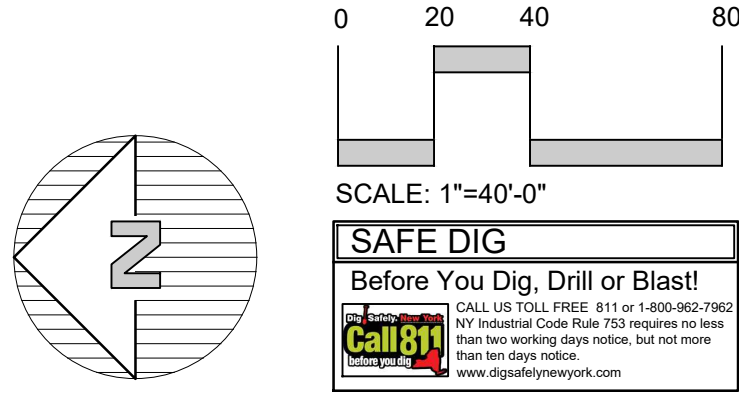


Revision No.	Date	Comments

Scale	Drawn By	Date
1" = 40'	MA	3/21/24

**PRELIMINARY GRADING
 PLAN - REVISED PROPOSED
 PROJECT**

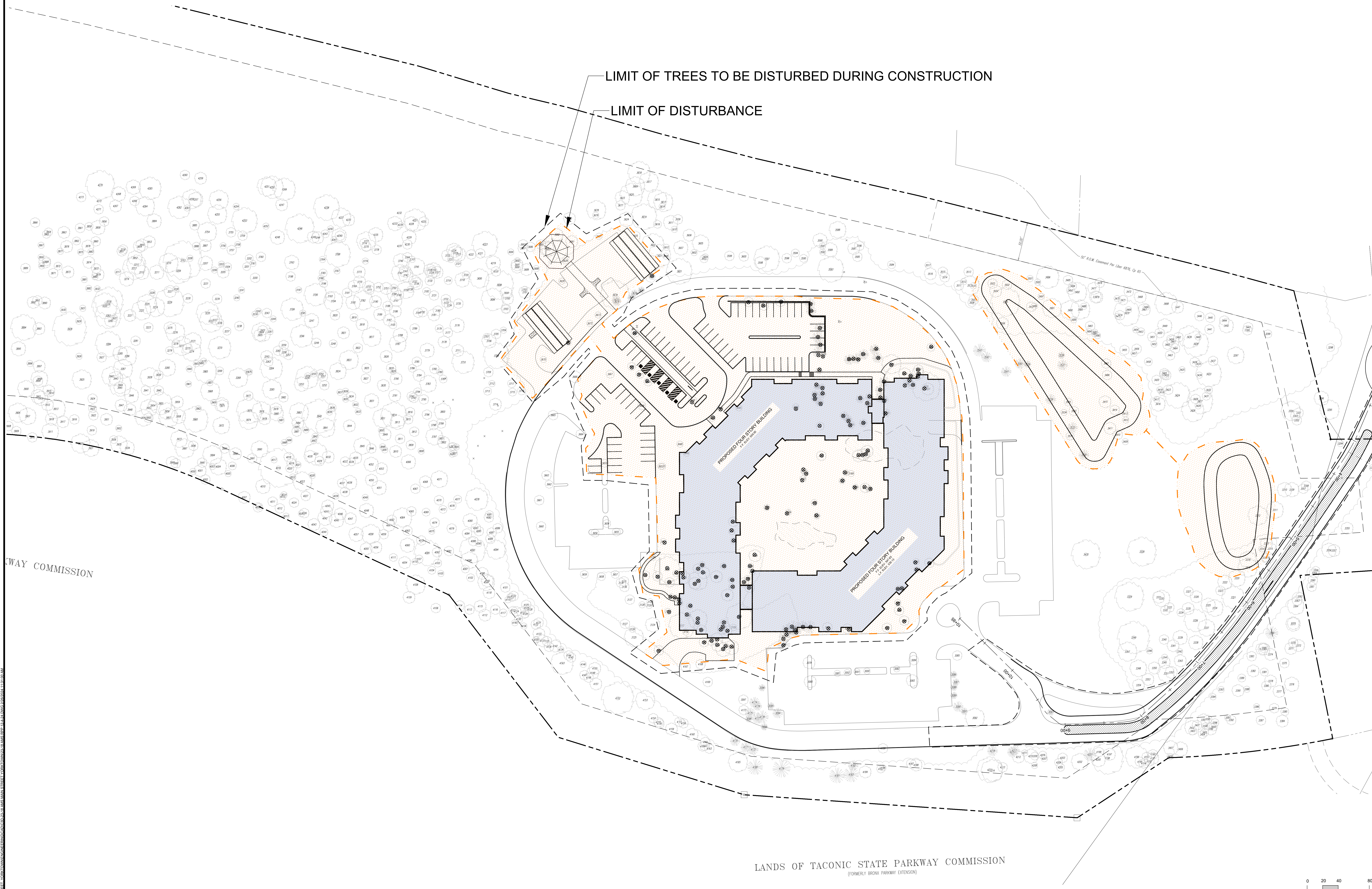
**AMS YORKTOWN ACTIVE ADULT
 COMMUNITY**
 800 EAST MAIN STREET
 Town of Yorktown
 Westchester County, NY



Sheet: ---

PROJECT # 23-18

COPYRIGHT © 2024 BY SITE DESIGN CONSULTANTS. ALL RIGHTS RESERVED.



LIMIT OF TREES TO BE DISTURBED DURING CONSTRUCTION

LIMIT OF DISTURBANCE

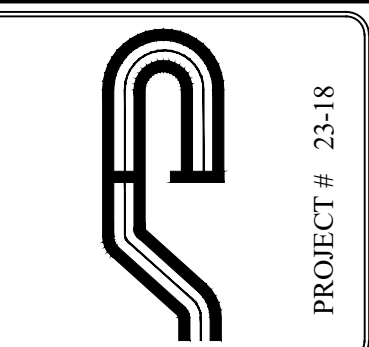
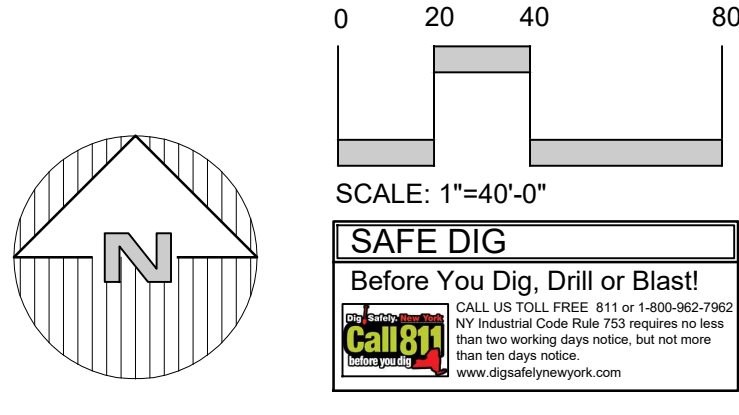
PROPOSED FOUR STORY BUILDING

PROPOSED FOUR STORY BUILDING

LANDS OF TACONIC STATE PARKWAY COMMISSION
(FORMERLY BRONX PARKWAY EXTENSION)

WAY COMMISSION

NOTE:
1. THIS IS A SURVEY. ALL SURVEY INFORMATION SHOWN ON THIS PLAN HAS BEEN TAKEN FROM SURVEY MAP PREPARED BY DYNAMIC SURVEY, LLC, DATED 03/15/22, LAST REVISED 10/11/23. THE ENGINEER ASSUMES NO RESPONSIBILITY FOR ITS ACCURACY.



Site Design Consultants
Civil Engineers • Land Planners
251-F Uncliff, Yorktown Heights, NY 10596
(914) 962-4488, Fax: (914) 962-7376
www.sitedesignconsultants.com



Revisions	No.	Date	Comments

Revisions	No.	Date	Comments

SCALE	1" = 40'
DRAWN BY	MA
DATE	3/21/24

TREE REMOVAL PLAN

CONCEPT PLAN
PREPARED FOR
**AMS YORKTOWN ACTIVE ADULT
COMMUNITY**
800 EAST MAIN STREET
Westchester County, NY
Town of Yorktown

Sheet

AMERICAN CONSULTANTS AND ENGINEERS, L.P., 200 SOUTH WEST STREET, WESTCHESTER, NY 10598

Table with 35 columns: TREE NO., SIZE, SPECIES, CONDITION, TREES TO BE REMOVED APPLIC PLAN, TREES TO BE REMOVED ALT PLAN, TREES TO BE REMOVED RPP, TREE NO., SIZE, SPECIES, CONDITION, TREES TO BE REMOVED APPLIC PLAN, TREES TO BE REMOVED ALT PLAN, TREES TO BE REMOVED RPP, TREE NO., SIZE, SPECIES, CONDITION, TREES TO BE REMOVED APPLIC PLAN, TREES TO BE REMOVED ALT PLAN, TREES TO BE REMOVED RPP, TREE NO., SIZE, SPECIES, CONDITION, TREES TO BE REMOVED APPLIC PLAN, TREES TO BE REMOVED ALT PLAN, TREES TO BE REMOVED RPP, TREE NO., SIZE, SPECIES, CONDITION, TREES TO BE REMOVED APPLIC PLAN, TREES TO BE REMOVED ALT PLAN, TREES TO BE REMOVED RPP.

LEGEND

Project # 23-18
Site Design Consultants
Civil Engineers & Land Planners
251-F Underhill, Yorktown Heights, NY 10598
(914) 962-4888, Fax: (914) 962-7876
www.sitesdesign.com
AMS YORKTOWN ACTIVE ADULT COMMUNITY
800 EAST MAIN STREET
Town of Yorktown
CONCEPT PLAN PREPARED FOR
Tree Inventory
AMS YORKTOWN ACTIVE ADULT COMMUNITY
800 EAST MAIN STREET
Town of Yorktown
Drawn by: MA
Date: 3/21/24

NOTE: UNAUTHORIZED ALTERATIONS OR ADDITIONS TO THIS DRAWING IS A VIOLATION OF SECTION 205(3) OF THE NEW YORK STATE EDUCATION LAW.

E:\PROJECTS\14.000\14.000_01\14.000_01.dwg

TREE NO.	SIZE	SPECIES	CONDITION	TREES TO BE REMOVED APPLIC PLAN	TREES TO BE REMOVED ALT PLAN	TREES TO BE REMOVED RPP	TREE NO.	SIZE	SPECIES	CONDITION	TREES TO BE REMOVED APPLIC PLAN	TREES TO BE REMOVED ALT PLAN	TREES TO BE REMOVED RPP	TREE NO.	SIZE	SPECIES	CONDITION	TREES TO BE REMOVED APPLIC PLAN	TREES TO BE REMOVED ALT PLAN	TREES TO BE REMOVED RPP	TREE NO.	SIZE	SPECIES	CONDITION	TREES TO BE REMOVED APPLIC PLAN	TREES TO BE REMOVED ALT PLAN	TREES TO BE REMOVED RPP
4194	12	MAPLE	ALIVE				3849	15	BEECH	ALIVE				4052	18	HICKORY	ALIVE				3710	28	OAK	ALIVE			
4195	12	MAPLE	ALIVE				3853	15	BEECH	ALIVE				4057	18	HICKORY	ALIVE				3944	28	POPLAR	ALIVE			
4199	12	HICKORY	ALIVE				3854	15	BEECH	ALIVE				4064	18	MAPLE	ALIVE				3955	28	POPLAR	ALIVE			
4203	12	MAPLE	ALIVE				3855	15	BEECH	ALIVE				4066	18	OAK	ALIVE				3965	28	POPLAR	ALIVE			
4213	12	OAK	ALIVE				3863	15	BEECH	ALIVE				4080	18	OAK	ALIVE				4031	28	HICKORY	ALIVE			
4216	12	SPRUCE	ALIVE				3870	15	MAPLE	ALIVE				4180	18	OAK	ALIVE				4078	28	OAK	ALIVE			
4217	12	SPRUCE	ALIVE				3873	15	MAPLE	ALIVE				4181	18	OAK	ALIVE				4143	28	HICKORY	ALIVE			
4218	12	SPRUCE	ALIVE				3874	15	OAK	ALIVE				4183	18	OAK	ALIVE				4186	28	BIRCH (TWIN)	ALIVE			
4220	12	HICKORY	ALIVE				3876	15	BEECH	ALIVE				4200	18	HICKORY	ALIVE				4227	28	POPLAR	ALIVE			
4221	12	MAPLE	ALIVE				3878	15	HICKORY	ALIVE				4210	18	HICKORY	ALIVE				4231	28	MAPLE (TWIN)	ALIVE			
4222	12	MAPLE	ALIVE				3879	15	HICKORY	ALIVE				4219	18	OAK	ALIVE				4232	28	POPLAR	ALIVE			
4226	12	MAPLE	ALIVE				3887	15	BEECH	ALIVE				4224	18	BEECH	ALIVE				4239	28	POPLAR	ALIVE			
4230	12	ASH	ALIVE				3890	15	BEECH	ALIVE				4228	18	ASH	ALIVE				4250	28	POPLAR	ALIVE			
4260	12	BEECH	ALIVE				3892	15	MAPLE	ALIVE				4229	18	ASH	ALIVE				4262	28	POPLAR	ALIVE			
4266	12	OAK	ALIVE				3893	15	MAPLE	ALIVE				4233	18	BEECH	ALIVE				4265	28	POPLAR	ALIVE			
4271	12	HICKORY	ALIVE				3897	15	BEECH	ALIVE				4235	18	BEECH	ALIVE				3896	28	OAK	DISEASED			
4273	12	MAPLE	ALIVE				3905	15	OAK	ALIVE				4239	18	BEECH	ALIVE				3270	28	MAPLE (TWIN)	HALF DEAD			
3042	12	POPLAR	DEAD				3912	15	TULIP	ALIVE				4248	18	OAK	ALIVE				3110	32	OAK	ALIVE			
3132	12	SPRUCE (TWIN)	DEAD				3915	15	TULIP	ALIVE				4257	18	OAK	ALIVE				3117	32	OAK	ALIVE			
3363	12	HICKORY	DEAD				3917	15	BEECH	ALIVE				4268	18	HICKORY	ALIVE				3140	32	OAK	ALIVE			
3380	12	OAK	DEAD				3918	15	BEECH	ALIVE				4269	18	HICKORY	ALIVE				3209	32	BEECH (TRIPLE)	ALIVE			
3443	12	UNKNOWN	DEAD				3945	15	POPLAR	ALIVE				3271	21	POPLAR	ALIVE				3220	32	POPLAR	ALIVE			
3455	12	TWIN	DEAD				3947	15	MAPLE	ALIVE				3280	21	POPLAR	ALIVE				3283	32	POPLAR	ALIVE			
3456	12	BEECH	DEAD				3948	15	POPLAR	ALIVE				3311	21	ASH	ALIVE				3284	32	POPLAR	ALIVE			
3462	12	UNKNOWN	DEAD				3951	15	BEECH	ALIVE				3318	21	OAK	ALIVE				3424	32	OAK (TWIN)	ALIVE			
3483	12	UNKNOWN	DEAD				3959	15	BEECH	ALIVE				3320	21	OAK	ALIVE				3427	32	OAK	ALIVE			
3705	12	UNKNOWN	DEAD				3971	15	BEECH	ALIVE				3324	21	OAK	ALIVE				3433	32	OAK	ALIVE			
3789	12	UNKNOWN	DEAD				3978	15	BEECH	ALIVE				3330	21	BIRCH	ALIVE				3438	32	OAK	ALIVE			
3798	12	UNKNOWN	DEAD				3979	15	BEECH	ALIVE				3337	21	OAK	ALIVE				3470	32	HICKORY	ALIVE			
3825	12	UNKNOWN	DEAD				3992	15	MAPLE	ALIVE				3392	21	PINE	ALIVE				3593	32	OAK	ALIVE			
4033	12	BEECH	DEAD				3999	15	HICKORY	ALIVE				3351	21	OAK	ALIVE				3597	32	OAK	ALIVE			
4131	12	BEECH	DEAD				4001	15	MAPLE	ALIVE				3364	21	MAPLE	ALIVE				3601	32	OAK	ALIVE			
4132	12	BEECH	DEAD				4007	15	HICKORY	ALIVE				3388	21	OAK	ALIVE				3619	32	OAK	ALIVE			
4142	12	BEECH	DEAD				4030	15	HICKORY	ALIVE				4030	21	HICKORY	ALIVE				3708	32	OAK	ALIVE			
3018	12	ELM	DISEASED				4032	15	MAPLE	ALIVE				3739	21	OAK	ALIVE				3814	32	MAPLE (TWIN)	ALIVE			
3019	12	ELM	DISEASED				4035	15	MAPLE	ALIVE				3742	21	BIRCH	ALIVE				3884	32	MAPLE	ALIVE			
3000	12	ELM	DISEASED				4040	15	HICKORY	ALIVE				3745	21	BIRCH	ALIVE				3960	32	POPLAR	ALIVE			
3180	12	BEECH	DISEASED				4041	15	MAPLE	ALIVE				3783	21	OAK	ALIVE				3975	32	POPLAR	ALIVE			
3188	12	BEECH	DISEASED				4043	15	BEECH	ALIVE				3787	21	OAK	ALIVE				4093	32	OAK	ALIVE			
3198	12	OAK	DISEASED				4046	15	BEECH	ALIVE				3797	21	HICKORY	ALIVE				4095	32	OAK	ALIVE			
3782	12	BEECH	DISEASED				4047	15	BEECH	ALIVE				3800	21	HICKORY	ALIVE				4215	32	OAK	ALIVE			
3041	15	ELM	ALIVE				4050	15	MAPLE	ALIVE				3824	21	OAK	ALIVE				4223	32	POPLAR	ALIVE			
3050	15	PINE	ALIVE				4053	15	POPLAR	ALIVE				4055	21	POPLAR	ALIVE				4228	32	POPLAR	ALIVE			
3051	15	PINE	ALIVE				4054	15	MAPLE	ALIVE				3898	21	MAPLE	ALIVE				4253	32	POPLAR	ALIVE			
3070	15	PINE	ALIVE				4055	15	BEECH (TWIN)	ALIVE				3900	21	BEECH	ALIVE				3768	32	HICKORY	DISEASED			
3074	15	PINE	ALIVE				4056	15	BEECH	ALIVE				3907	21	TULIP	ALIVE				3328	36	OAK	ALIVE			
3078	15	PINE	ALIVE				4061	15	BEECH	ALIVE				3911	21	HICKORY	ALIVE				3329	36	OAK	ALIVE			
3079	15	ELM	ALIVE				4068	15	MAPLE	ALIVE				3921	21	TULIP	ALIVE				3430	36	OAK	ALIVE			
3080	15	ELM	ALIVE				4098	15	HICKORY	ALIVE				3935	21	HICKORY	ALIVE				3505	36	OAK	ALIVE			
3083	15	ELM	ALIVE				4100	15	OAK	ALIVE				3949	21	POPLAR	ALIVE				3520	36	OAK (TWIN)	ALIVE			
3104	15	HICKORY	ALIVE				4109	15	OAK	ALIVE				3953	21	POPLAR	ALIVE				3674	36	OAK	ALIVE			
3107	15	MAPLE (TWIN)	ALIVE				4112	15	BEECH	ALIVE				3956	21	POPLAR	ALIVE				3698	36	OAK (TWIN)	ALIVE			
3114	15	HICKORY	ALIVE				4115	15	HICKORY	ALIVE				3972	21	POPLAR	ALIVE				4246	36	POPLAR	ALIVE			
3143	15	OAK	ALIVE				4118	15	BEECHRY	ALIVE				3973	21	POPLAR	ALIVE				4270	36	OAK (TWIN)	ALIVE			
3144	15	BEECH	ALIVE				4127	15	BEECH	ALIVE				4004	21	HICKORY	ALIVE				3229	36	BEECH (TRIPLE)	DEAD			
3146	15	OAK	ALIVE				4133	15	BEECH	ALIVE				4071	21	OAK	ALIVE				3218	36	OAK (TWIN)	HALF DEAD			
3153	15	HICKORY (TWIN)	ALIVE				4137	15	BEECH	ALIVE				4096	21	OAK	ALIVE				3349	40	OAK	ALIVE			
3159	15	OAK	ALIVE				4142	15	BEECH	ALIVE				4099	21	OAK	ALIVE				4152	40	OAK	ALIVE			
3178	15	OAK	ALIVE				4149	15	BIRCH	ALIVE				4179	21	OAK	ALIVE				4198	40	MAPLE (TRIPLE)	ALIVE			
3181	15	BEECH	ALIVE				4150	15	BEECH	ALIVE				4202	21	HICKORY	ALIVE				3860	42	OAK	ALIVE			
3186	15	OAK	ALIVE				4151	15	BEECH	ALIVE				2297	21	OAK	DISEASED				3928	42	UNKNOWN	DEAD			
3187	15	BEECH	ALIVE				4159	15	BEECH	ALIVE				3990	21	MAPLE	DISEASED				3753	48	POPLAR (TWIN)	ALIVE			
3189	15	BEECH	ALIVE				4160	15	BEECH	ALIVE				3092	24	HICKORY	ALIVE				4016	48	HICKORY (TWIN)	ALIVE			
3190	15	BEECH	ALIVE				4178	15	PINE	ALIVE				3113	24	OAK	ALIVE										
3221	15	POPLAR	ALIVE				4184	15	OAK	ALIVE				3145	24	OAK	ALIVE										
3227	15	BEECH	ALIVE				4188	15	HICKORY	ALIVE				3146	24	OAK	ALIVE										
3293	15	LOCUST	ALIVE				4191	15	HICKORY	ALIVE				3194	24	OAK	ALIVE										
3313	15	MAPLE	ALIVE				4197	15	MAPLE	ALIVE				3210	24	POPLAR	ALIVE										
3315	15	MAPLE	ALIVE				4201	15	PINE	ALIVE				3215	24	POPLAR	ALIVE										
3316	15	MAPLE	ALIVE				4212	15	MAPLE	ALIVE				3212	24												

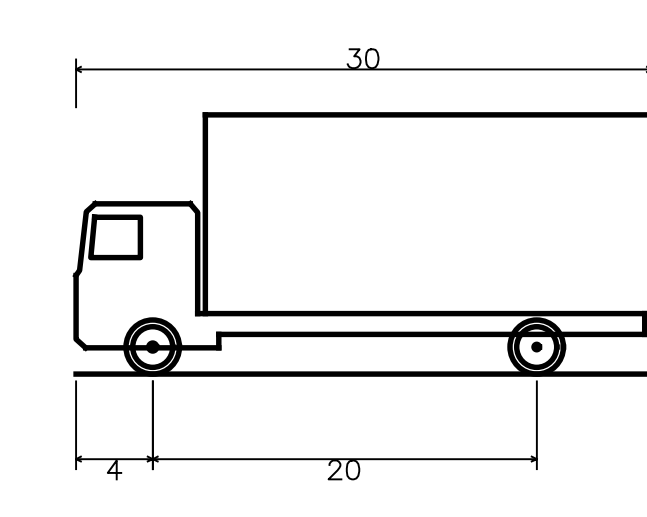
Revisions	No.	Date	Comments

Revisions	No.	Date	Comments

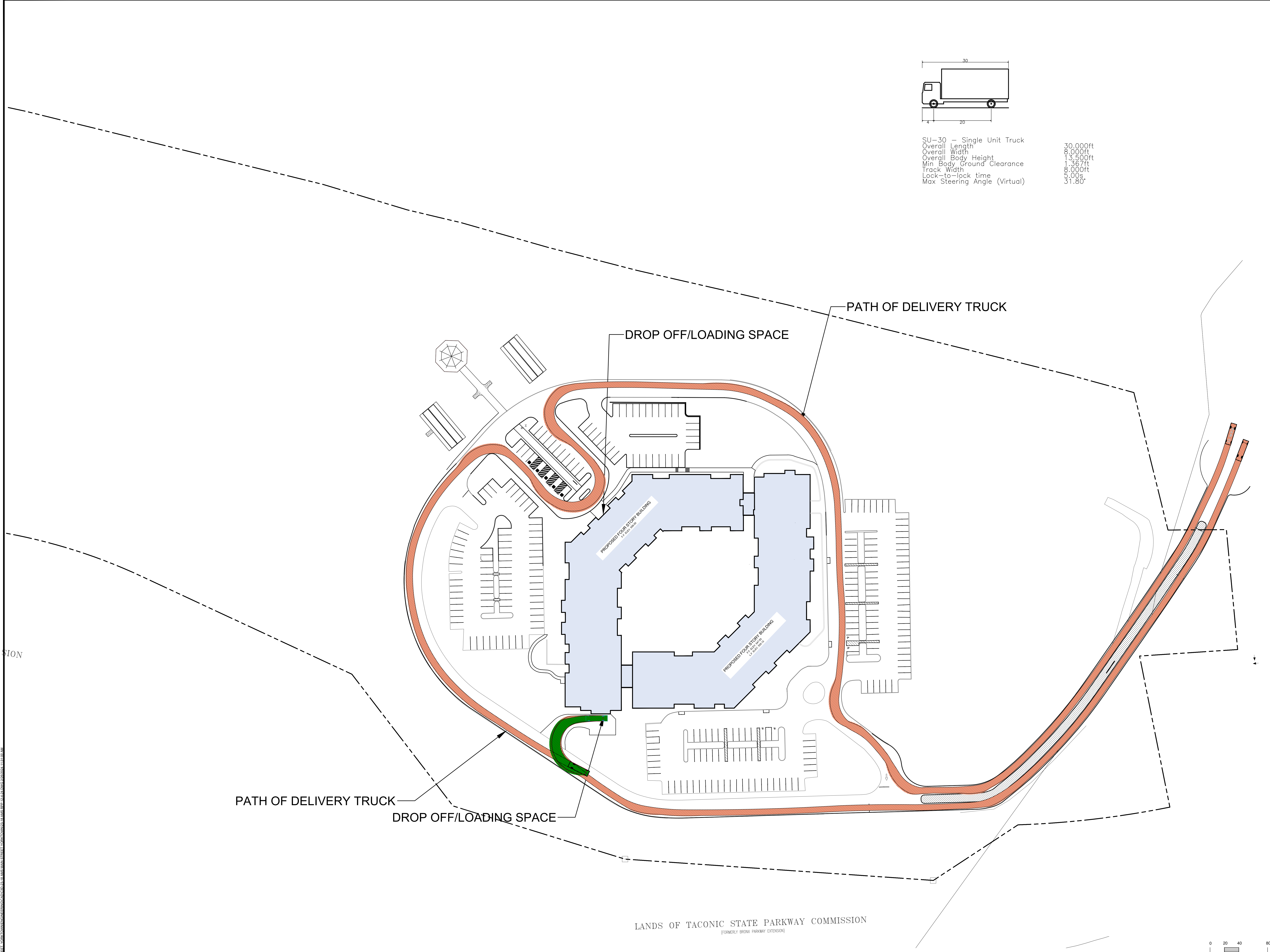
SCALE	1" = 40'
DRAWN BY	MA
DATE	3/21/24

**TURNING MOVEMENTS
 DELIVERY TRUCKS SU-30
 REVISED PROPOSED PROJEC**

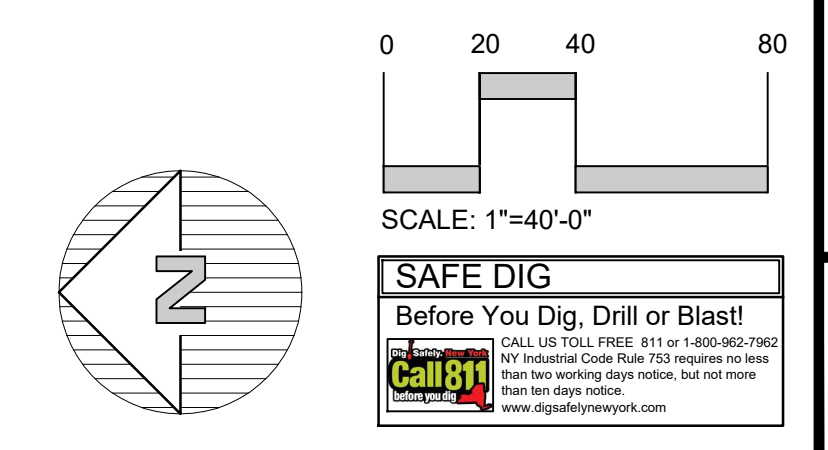
**CONCEPT PLAN
 PREPARED FOR**
**AMS YORKTOWN ACTIVE ADULT
 COMMUNITY**
 800 EAST MAIN STREET
 Westchester County, NY
 Town of Yorktown

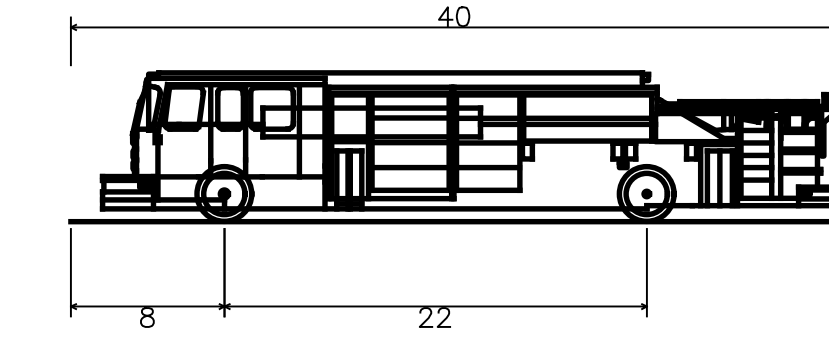
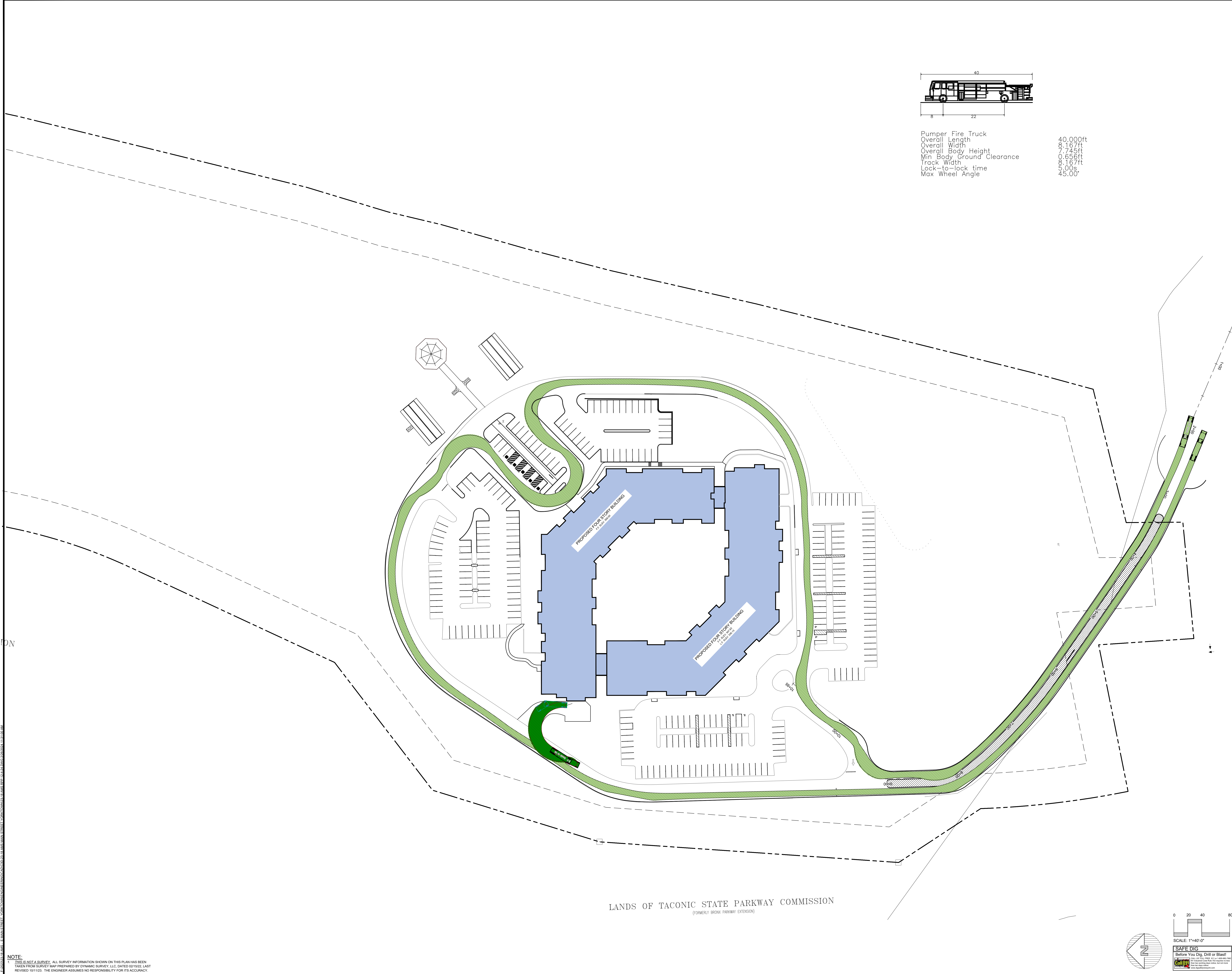


SU-30 - Single Unit Truck
 Overall Length 30.000ft
 Overall Width 8.000ft
 Overall Body Height 13.500ft
 Min. Body Ground Clearance 1.367ft
 Track Width 8.000ft
 Lock-to-lock time 5.00s
 Max Steering Angle (Virtual) 31.80°



NOTE:
 1. THIS IS A SURVEY. ALL SURVEY INFORMATION SHOWN ON THIS PLAN HAS BEEN TAKEN FROM SURVEY MAP PREPARED BY DYNAMIC SURVEY, LLC, DATED 03/15/22. LAST REVISED 10/11/23. THE ENGINEER ASSUMES NO RESPONSIBILITY FOR ITS ACCURACY.
 2. UNAUTHORIZED ALTERATIONS OR ADDITIONS TO THIS DRAWING IS A VIOLATION OF SECTION 2209 (3) OF THE NEW YORK STATE EDUCATION LAW.





Pumper Fire Truck
 Overall Length 40.000ft
 Overall Width 8.167ft
 Overall Body Height 7.745ft
 Min. Body Ground Clearance 0.656ft
 Track Width 8.167ft
 Lock-to-lock time 5.00s
 Max Wheel Angle 45.00°

LANDS OF TACONIC STATE PARKWAY COMMISSION
 (FORMERLY BROOK PARKWAY EXTENSION)

NOTE:
 1. THIS IS A SURVEY. ALL SURVEY INFORMATION SHOWN ON THIS PLAN HAS BEEN TAKEN FROM SURVEY MAP PREPARED BY DYNAMIC SURVEY, LLC, DATED 03/15/22, LAST REVISED 10/11/23. THE ENGINEER ASSUMES NO RESPONSIBILITY FOR ITS ACCURACY.

NOTE: UNAUTHORIZED ALTERATIONS OR ADDITIONS TO THIS DRAWING IS A VIOLATION OF SECTION 2209 (3) OF THE NEW YORK STATE EDUCATION LAW.

PROJECT # 23-18

Site Design Consultants
 Civil Engineers • Land Planners
 251-F Unkles Hill, Yorkville, New York, NY 10596
 (914) 962-4488, Fax: (914) 962-7376
 www.sitedesignconsultants.com

Engineer: Joseph C. Rima, P.E.
 License No. 12512

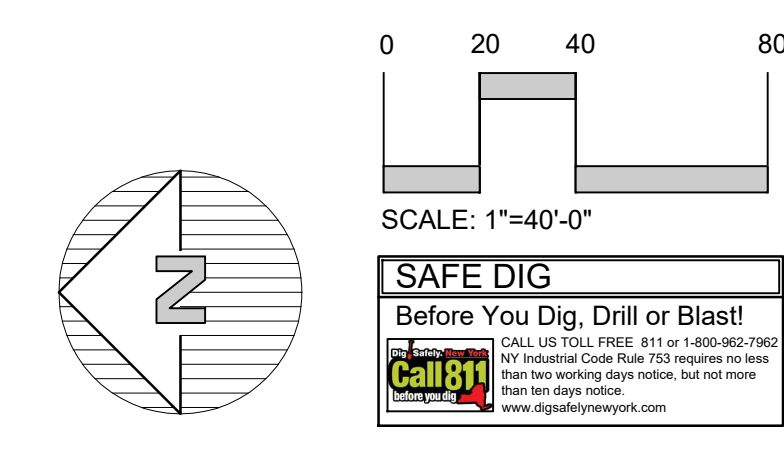
Revisions	No.	Date	Comments

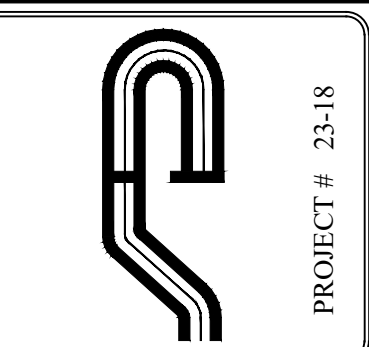
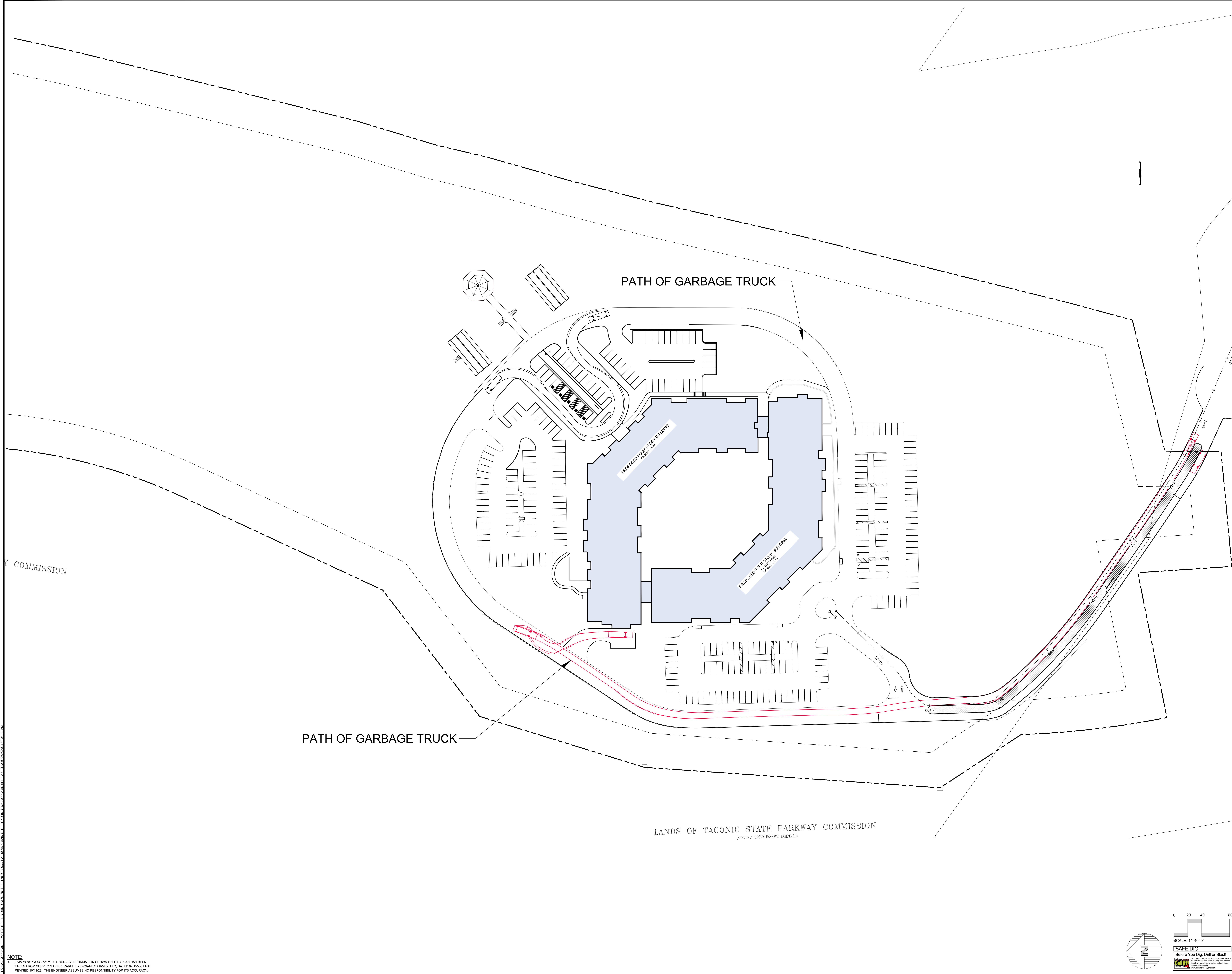
SCALE: 1" = 40'
 DRAWN BY: MA
 DATE: 3/21/24

**TURNING MOVEMENTS
 FIRE TRUCK - REVISED
 PROPOSED PROJECT**

CONCEPT PLAN
 PREPARED FOR
**AMS YORKTOWN ACTIVE ADULT
 COMMUNITY**
 800 EAST MAIN STREET
 Town of Yorktown, Westchester County, NY

Sheet: ---





Site Design Consultants
 Civil Engineers • Land Planners
 251-F Unkles Hill, Yorkville, New York, NY 10596
 (914) 962-4488, Fax: (914) 962-2786
 www.sitedesignconsultants.com



Revisions	No.	Date	Comments

Revisions	No.	Date	Comments

SCALE	0.024706
DRAWN BY	MA
DATE	3/21/24

**TURNING MOVEMENTS
 GARBAGE TRUCK -
 REVISED PROPOSED
 PROJECT**

CONCEPT PLAN
 PREPARED FOR
**AMS YORKTOWN ACTIVE ADULT
 COMMUNITY**
 800 EAST MAIN STREET
 Town of Yorktown
 Westchester County, NY

NOTE:
 1. THIS IS A SURVEY. ALL SURVEY INFORMATION SHOWN ON THIS PLAN HAS BEEN
 TAKEN FROM SURVEY MAP PREPARED BY DYNAMIC SURVEY, LLC, DATED 03/15/22. LAST
 REVISED 10/11/23. THE ENGINEER ASSUMES NO RESPONSIBILITY FOR ITS ACCURACY.

NOTE: UNAUTHORIZED ALTERATIONS OR ADDITIONS TO THIS DRAWING IS A VIOLATION OF SECTION 2209 (3) OF THE NEW YORK STATE EDUCATION LAW.