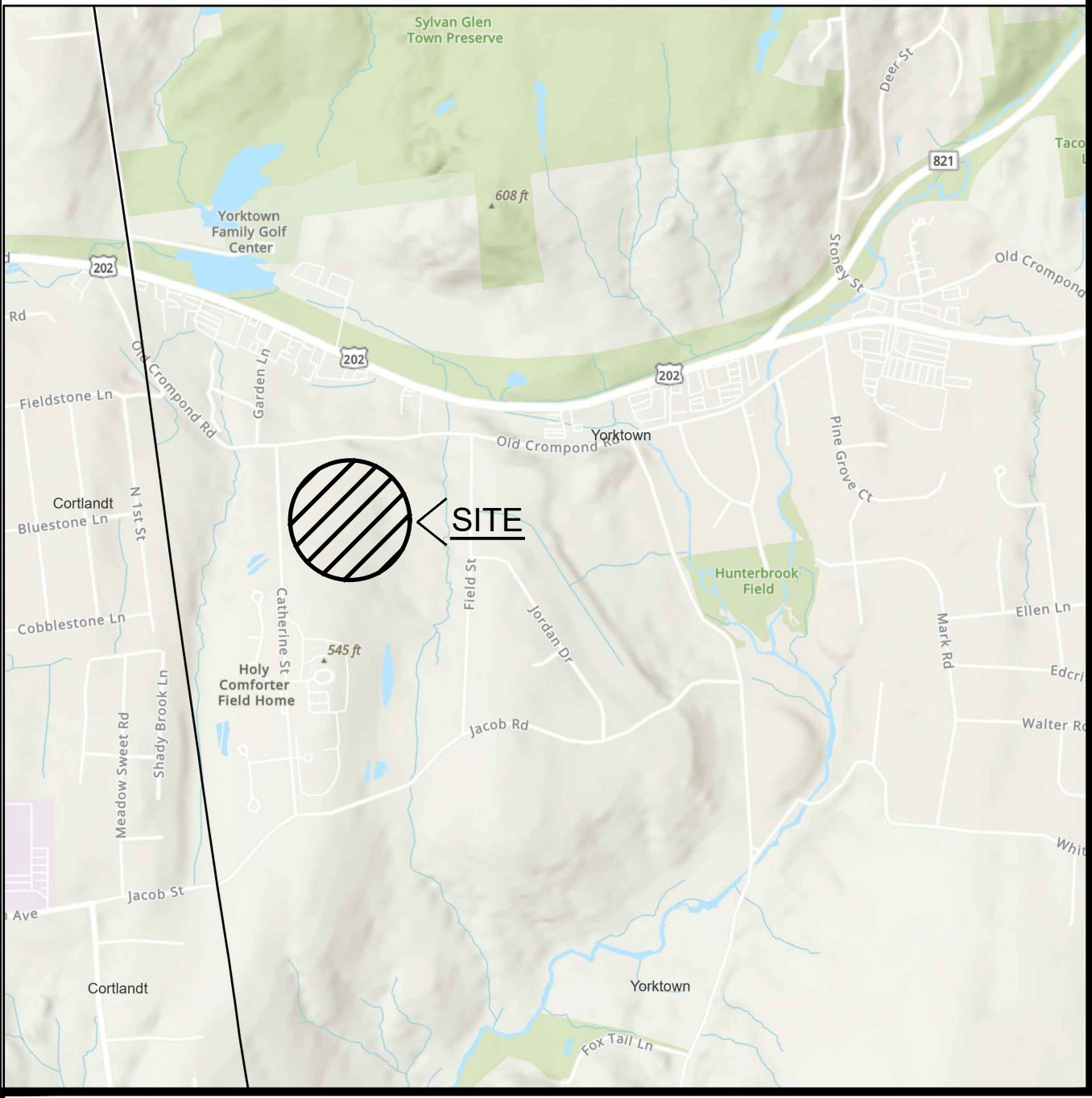


FIELDHOME at CATHERINE STREET Rezone to RSP-2 Proposed By: Toll Brothers



LOCATION MAP
NOT TO SCALE



Site Design Consultants
Civil Engineers • Land Planners
251-F Underhill Avenue, Yorktown Heights, NY 10598
(914) 962-4488 - Fax: (914) 962-7386
www.sitedesignconsultants.com

MAY 20, 2024

PROJECT: FIELDHOME AT CATHERINE STREET, YORKTOWN HEIGHTS, NY. DATE: 5/20/24. DRAWING NO: SD-24-001. SCALE: AS SHOWN.

NOTE: UNAUTHORIZED ALTERATIONS OR ADDITIONS TO THIS DRAWING IS A VIOLATION OF SECTION 7209 (2) OF THE NEW YORK STATE EDUCATION LAW.



SITE DATA:
 OWNER / DEVELOPER: TOLL BROTHERS
 42 OLD RIDGEWAY ROAD
 DANBURY, CONNECTICUT, 06810
 PROJECT LOCATION: 3448 CATHERINE STREET
 YORKTOWN, NY, 10598
 EXISTING TOWN ZONING: RSP-3, AGE ORIENTED GERIATRIC COMMUNITY, R1-40 RESIDENTIAL
 PROPOSED USE: RSP-2, SENIOR CITIZENS DISTRICT
 TOWN TAX MAP DATA: SECTION 35.12, BLOCK 1, LOT 2, SECTION 35.08, BLOCK 1, LOT 45
 SITE AREA: 32.8 ACRES (1,429,304 SF)
 SEWAGE FACILITIES: PUBLIC SEWERS
 WATER FACILITIES: PUBLIC WATER FACILITIES

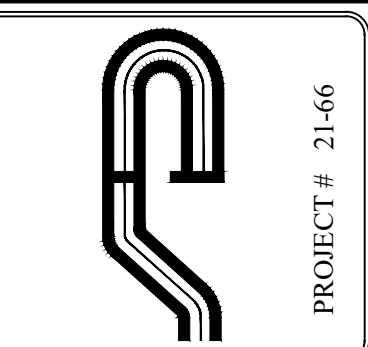
ZONING SCHEDULE:

ZONING DISTRICT:	RSP-2 SENIOR CITIZEN DISTRICT		
	REQUIRED	PROVIDED	VARIANCE REQUIRED
DIMENSIONAL REGULATIONS:			
MINIMUM SIZE OF LOT:			
MINIMUM LOT AREA:	217,800 SF.	1,429,304 SF.	NONE
MINIMUM LOT WIDTH:	150 FT.	1,362 FT.	NONE
MINIMUM LOT DEPTH:	150 FT.	1,566 FT.	NONE
MINIMUM YARD DIMENSIONS:			
PRINCIPAL BUILDING:			
FRONT YARD SETBACK:	50 FT.	55.0 FT.	NONE
REAR YARD SETBACK:	50 FT.	450 FT.	NONE
ONE SIDE YARD SETBACK:	50 FT.	75.0 FT.	NONE
COMBINED SIDE YARD SETBACK:	100 FT.	174.6 FT.	NONE
MAXIMUM HEIGHT:			
PRINCIPAL BUILDING - FEET:	45 FEET	38 FT MAX	NONE
F.A.R. (FLOOR AREA RATIO):	0.35	0.15	NONE

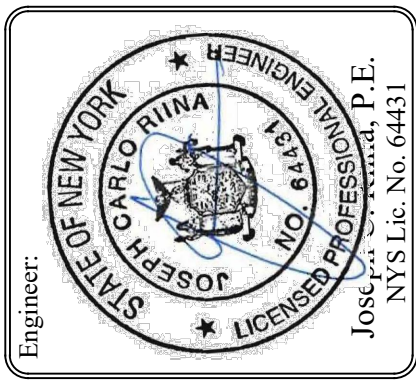
PARKING SCHEDULE

REQUIRED PARKING:	0.5 SPACES PER DWELLING UNIT
PROVIDED PARKING:	118 UNITS @ 0.5 SPACES/UNIT = 59 SPACES
PARKING VARIANCE REQUIRED:	0 SPACES

NOTE:
 THIS IS A PRELIMINARY SURVEY. ALL SURVEY INFORMATION SHOWN ON THIS PLAN HAS BEEN TAKEN FROM SURVEY MAPS PREPARED BY WARD CARPENTER ENGINEERS, INC., DATED 1/31/22. THE ENGINEER ASSUMES NO RESPONSIBILITY FOR ITS ACCURACY.



Site Design Consultants
 Civil Engineers & Land Planners
 251-F Underhill, Yorktown, New York, NY 10598
 (914) 962-4488, Fax: (914) 962-2786
 www.sitedesignconsultants.com



PRELIMINARY SITE PLAN

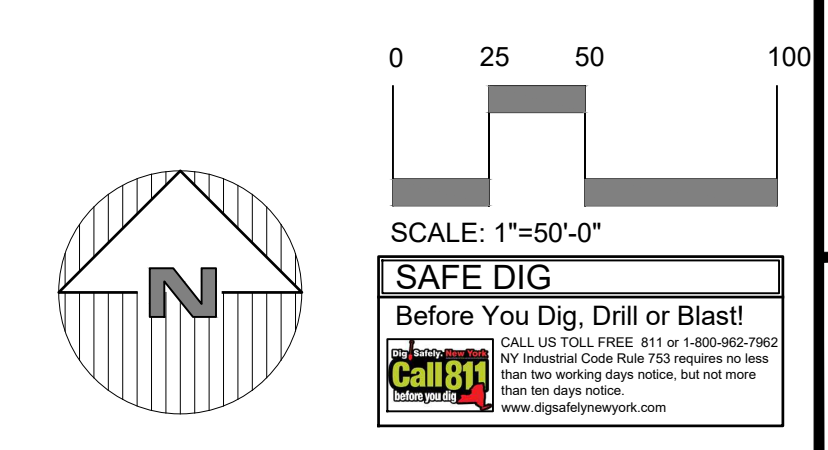
FIELDHOME AT CATHERINE STREET
 CATHERINE STREET
 Town of Yorktown
 Westchester County

Sheet **12** of **12**

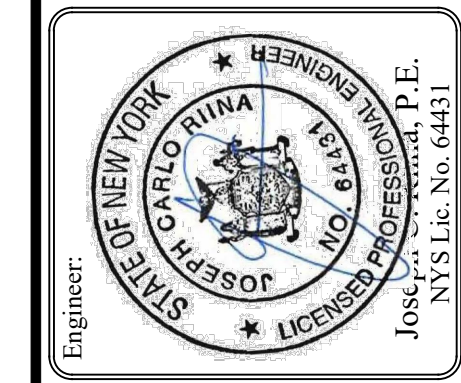


NOTE:
 1. THIS IS A PRELIMINARY SURVEY. ALL SURVEY INFORMATION SHOWN ON THIS PLAN HAS BEEN TAKEN FROM SURVEY DATA PREPARED BY WARD CARPENTER ENGINEERS, INC., DATED 10/12/22. THE ENGINEER ASSUMES NO RESPONSIBILITY FOR ITS ACCURACY.

NOTE: UNAUTHORIZED ALTERATIONS OR ADDITIONS TO THIS DRAWING IS A VIOLATION OF SECTION 2205 (1) OF THE NEW YORK STATE EDUCATION LAW.



Site Design Consultants
 Civil Engineers & Land Planners
 251-F Unshohli, Yorkville, New York, NY 10596
 (914) 962-4488, Fax: (914) 962-7376
 www.sitedesignconsultants.com



Revisions	No.	Date	Comments
1.	11/15/22	Plan Update	
2.	2/28/24	Plan Update	
3.	5/28/24	Plan Update	

Revisions	No.	Date	Comments
1.	11/15/22	Plan Update	
2.	2/28/24	Plan Update	
3.	5/28/24	Plan Update	

SCALE: 1" = 50'
 DRAWN BY: TK
 DATE: 11/22

EXISTING CONDITIONS

PRELIMINARY SITE PLAN
 PREPARED FOR
FIELDHOME AT CATHERINE STREET
 CATHERINE STREET
 Town of Yorktown
 Westchester County

PROJECT DISTURBANCE			
DISTURBANCE AREA	IMPERVIOUS	NON-IMPERVIOUS	TOTALS
NON-BUFFER	20.45 AC	7.18 AC	27.63 AC
BUFFER	0	1.93 AC	1.93 AC
WETLAND	0	0.07 AC	0.07 AC
TOTALS	20.45 AC	9.18 AC	29.63 AC



urb
78
85

INLET PROTECTION AT ALL DRAINAGE INLETS (TYP.)

SILT FENCE (TYP.)

EROSION BLANKETS WHERE SLOPES EXCEED 3H:1V (TYP.)

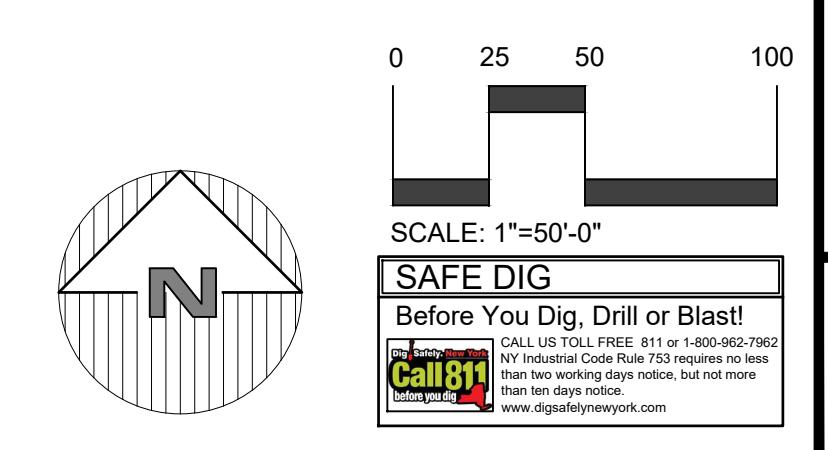
STABILIZED CONSTRUCTION ENTRANCE (TYP.)

LIMIT OF DISTURBANCE

SILT FENCE (TYP.)

70
5

NOTE:
1. THIS IS NOT A SURVEY. ALL SURVEY INFORMATION SHOWN ON THIS PLAN HAS BEEN TAKEN FROM SURVEY MAPS PREPARED BY WARD CARPENTER ENGINEERS, INC. DATED 1/31/22. THE ENGINEER ASSUMES NO RESPONSIBILITY FOR ITS ACCURACY.



PROJECT # 2146

Site Design Consultants
Civil Engineers & Land Planners
251-F Uncliff, Yorkville, New York, NY 10596
(914) 962-4488, Fax: (914) 962-4786
www.sitedesignconsultants.com

Revisions:
No. | Date | Comments
1. | 11/15/22 | From Update
2. | 2/28/24 | From Update
3. | 5/28/24 | From Update

SCALE: 1" = 50'

DRAWN BY: TK

DATE: 3/3/22

PRELIMINARY SITE PLAN
PREPARED FOR

PRELIMINARY EROSION & SEDIMENT CONTROL PLAN

FIELDHOME AT CATHERINE STREET

CATHERINE STREET
Town of Yorktown
Westchester County

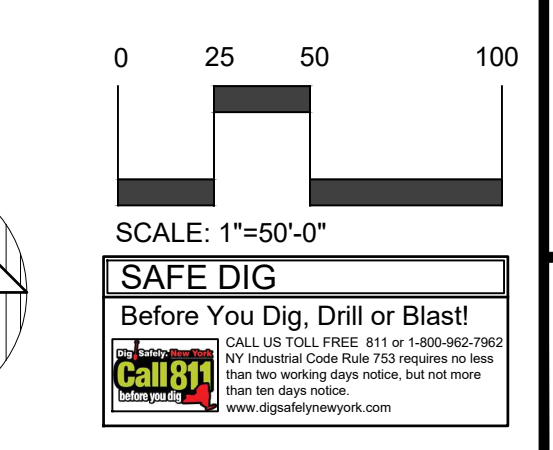
Sheet 3 of 12

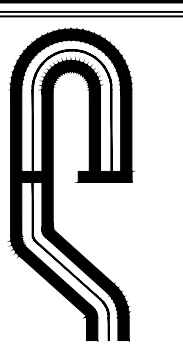
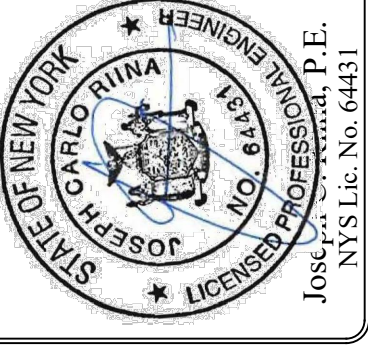
POCKET WETLAND
 HDPE END SECTION W/ RIP-RAP
 OUTLET PROTECTION
 DRAINAGE MANHOLE (TYP.)
 PROPOSED CATCH BASIN (TYP.)
 CISTERN #7
 PROPOSED DRAINAGE PIPE (TYP.)
 PROPOSED 8" CISTERN #5
 DRIVEWAY SLOPE (TYP.)
 PROPOSED 8" WATERMAIN (TYP.)
 VEGETATED SWALE (TYP.)
 PROPOSED RETAINING WALLS (TYP.)
 PROPOSED GRADING
 CISTERN #1
 RAINWATER HARVESTING SYSTEM
 CLOSED PIPE RETENTION FOR
 REUSE AS IRRIGATION SUPPLY (TYP.)
 EXISTING DRIVEWAY TO BE
 REMOVED AND RELOCATED



NOTE:
 1. THIS IS ONLY A SURVEY. ALL SURVEY INFORMATION SHOWN ON THIS PLAN HAS BEEN
 TAKEN FROM SURVEY MAP PREPARED BY WARD CARPENTER ENGINEERS, INC. DATED
 1/31/22. THE ENGINEER ASSUMES NO RESPONSIBILITY FOR ITS ACCURACY.

UNAUTHORIZED ALTERATIONS OR ADDITIONS TO THIS DRAWING IS A VIOLATION OF SECTION 2205 (1) OF THE NEW YORK STATE EDUCATION LAW.



	
Site Design Consultants Civil Engineers & Land Planners 251-F Uncliff, Yorktown Heights, NY 10596 (914) 962-4488, Fax: (914) 962-7326 www.sitedesignconsultants.com	
	
Project No.: No.: Date:	Comments: Date: Drawn by:
Scale: 1" = 50' Drawn by: TK Date: 11/22	Project: FIELDHOME AT CATHERINE STREET Location: WESTCHESTER COUNTY Town: YORKTOWN
PRELIMINARY SITE PLAN PREPARED FOR FIELDHOME AT CATHERINE STREET CATHERINE STREET Yorktown, Westchester County, New York	
PRELIMINARY IMPROVEMENT PLAN	
Sheet 4 of 12	



POCKET WETLAND
 HDPE END SECTION W/ RIP-RAP
 OUTLET PROTECTION
 DRAINAGE MANHOLE (TYP.)

PROPOSED CATCH BASIN (TYP.)

CISTERN #7

PROPOSED DRAINAGE PIPE (TYP.)

CISTERN #5

VEGETATED SWALE (TYP.)

CISTERN #1

RAINWATER HARVESTING SYSTEM
 CLOSED PIPE RETENTION FOR
 REUSE AS IRRIGATION SUPPLY (TYP.)

RAINWATER HARVESTING SYSTEM
 CLOSED PIPE RETENTION FOR
 REUSE AS IRRIGATION SUPPLY (TYP.)

CISTERN #8

POCKET WETLAND STORMWATER
 MANAGEMENT AREAS

CISTERN #4

RAINWATER HARVESTING SYSTEM
 CLOSED PIPE RETENTION FOR
 REUSE AS IRRIGATION SUPPLY (TYP.)

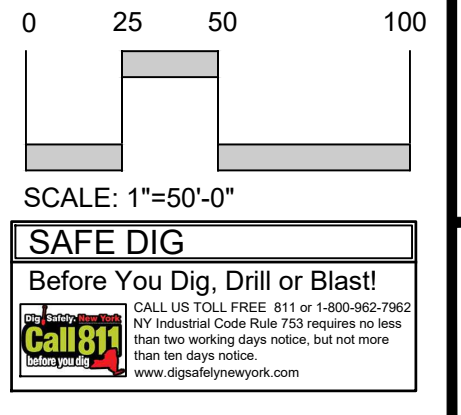
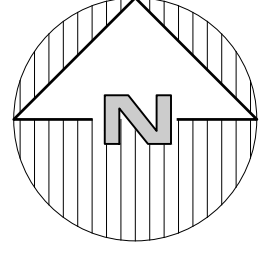
PROPOSED DRAIN INLET

PROPOSED DRAINAGE PIPE

100' BUFFER

NOTE:
 1. THIS IS A PRELIMINARY SURVEY. ALL SURVEY INFORMATION SHOWN ON THIS PLAN HAS BEEN
 TAKEN FROM SURVEY MAPS PREPARED BY WARD CARPENTER ENGINEERS, INC. DATED
 1/31/22. THE ENGINEER ASSUMES NO RESPONSIBILITY FOR ITS ACCURACY.

NOTE: UNAUTHORIZED ALTERATIONS OR ADDITIONS TO THIS DRAWING IS A VIOLATION OF SECTION 2209 (1) OF THE NEW YORK STATE EDUCATION LAW.



PRELIMINARY SITE PLAN
 PREPARED FOR

FIELDHOME AT CATHERINE STREET
 CATHERINE STREET
 Town of Yorktown
 Westchester County

**PRELIMINARY
 STORMWATER PLAN**

SCALE
 1" = 50'

DRAWN BY
 TK

DATE
 11.22

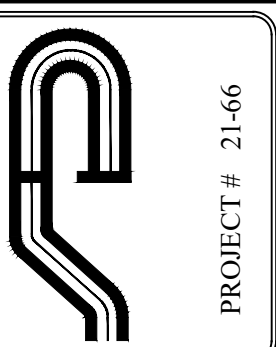
NO.	DATE	COMMENTS
1.	11/15/22	Plan Update
2.	11/15/22	Plan Update
3.	11/15/22	Plan Update
4.	11/15/22	Plan Update

NO.	DATE	COMMENTS

ENGINEER

Joseph C. Rima, P.E.
 11/15/22

Site Design Consultants
 Civil Engineers & Land Planners
 251-F Uncliff Hill, Yorktown Heights, NY 10598
 (914) 962-4488, Fax: (914) 962-4786
 www.sitedesignconsultants.com



PROJECT # 21-66

Treed	Host ID	Condition	DBH1	DBH2	DBH3	DBH4
12	Betula lenta	Dead	13			
13	Betula lenta	Poor	12			
14	Betula lenta	Good	17			
15	Betula lenta	Fair	13			
16	Betula lenta	Fair	13			
17	Acer rubrum	Good	16			
18	Acer rubrum	Good	11			
19	Populus grandidentata	Good	16			
20	Acer rubrum	Good	14			
21	Liriodendron tulipifera	Good	14	23		
22	Liriodendron tulipifera	Good	13			
23	Liriodendron tulipifera	Good	23			
27	Betula lenta	Good	17			
28	Liriodendron tulipifera	Fair	14			
39	Liriodendron tulipifera	Good	18			
40	Liriodendron tulipifera	Good	15			
41	Betula lenta	Good	10			
42	Betula lenta	Good	11			
43	Liriodendron tulipifera	Fair	20			
44	Liriodendron tulipifera	Fair	15			
45	Liriodendron tulipifera	Fair	17			
46	Betula lenta	Good	10			
47	Betula lenta	Fair	13			
48	Liriodendron tulipifera	Good	11			
49	Liriodendron tulipifera	Good	12			
50	Liriodendron tulipifera	Fair	21			
51	Liriodendron tulipifera	Good	17			
52	Liriodendron tulipifera	Good	11			
53	Acer rubrum	Good	8			
54	Acer rubrum	Good	10			
55	Acer rubrum	Fair	12			
56	Betula lenta	Good	8			
57	Acer rubrum	Fair	10			
58	Acer rubrum	Fair	14			
59	Acer rubrum	Poor	15			
60	Liriodendron tulipifera	Good	20			
61	Liriodendron tulipifera	Good	11			
62	Acer rubrum	Good	13			
63	Acer rubrum	Good	15			
64	Liriodendron tulipifera	Good	17			
65	Liriodendron tulipifera	Good	17			
66	Liriodendron tulipifera	Fair	17			
67	Betula lenta	Good	10			
68	Betula lenta	Fair	9			
69	Liriodendron tulipifera	Good	10			
70	Liriodendron tulipifera	Good	14			
71	Liriodendron tulipifera	Good	16			
72	Liriodendron tulipifera	Fair	11			
73	Liriodendron tulipifera	Fair	20			
74	Liriodendron tulipifera	Good	13			
75	Liriodendron tulipifera	Good	21			
76	Liriodendron tulipifera	Good	9			
77	Betula lenta	Dead	10			
78	Liriodendron tulipifera	Fair	16	14	14	
79	Acer rubrum	Fair	9			
80	Liriodendron tulipifera	Fair	14			
81	Betula lenta	Good	10			
82	Betula lenta	Good	9			
83	Betula lenta	Good	11			
84	Liriodendron tulipifera	Good	9			
85	Betula lenta	Fair	11	8		
86	Acer rubrum	Good	18			
87	Acer rubrum	Good	14			
88	Acer rubrum	Good	9			
89	Liriodendron tulipifera	Good	19			
90	Liriodendron tulipifera	Good	18			
91	Liriodendron tulipifera	Good	25			
92	Acer rubrum	Fair	10	7		
93	Sassafras albidum	Good	11			
94	Betula lenta	Dead	9			
95	Acer rubrum	Fair	20			
96	Acer rubrum	Fair	8	9		
97	Acer rubrum	Fair	13			
98	Acer rubrum	Fair	13			
99	Acer rubrum	Fair	10	9		
100	Acer rubrum	Dead	9			
101	Liriodendron tulipifera	Fair	10			
102	Acer rubrum	Fair	8			
103	Acer rubrum	Fair	11			
104	Liriodendron tulipifera	Good	14			
105	Liriodendron tulipifera	Good	15			
106	Prunus serotina	Fair	8			
107	Prunus occidentalis	Good	16			
108	Malus sp	Good	9			
109	Quercus velutina	Good	12			
110	Carya tomentosa	Good	17			
111	Acer rubrum	Good	13			
112	Liriodendron tulipifera	Good	17			
113	Liriodendron tulipifera	Good	20			
114	Carya tomentosa	Good	14			
115	Carya tomentosa	Good	15			
116	Acer rubrum	Good	11			
117	Acer rubrum	Good	17			
118	Prunus serotina	Fair	12			
119	Betula lenta	Good	10	8	6	
120	Liriodendron tulipifera	Good	17			

121	Liriodendron tulipifera	Good	12			
122	Quercus velutina	Fair	16			
123	Liriodendron tulipifera	Good	18			
124	Liriodendron tulipifera	Good	16			
125	Populus deltoides	Fair	14			
126	Fraxinus occidentalis	Good	10			
127	Liriodendron tulipifera	Good	10			
128	Liriodendron tulipifera	Good	19			
129	Fraxinus americana	Fair	12			
130	Acer rubrum	Good	8			
131	Acer rubrum	Good	9			
132	Acer rubrum	Good	16			
133	Acer rubrum	Good	13			
134	Acer rubrum	Good	12			
135	Acer rubrum	Good	11			
136	Acer rubrum	Poor	16			
137	Acer rubrum	Good	13			
138	Acer rubrum	Good	23			
139	Acer rubrum	Fair	10			
140	Acer rubrum	Good	18			
141	Acer rubrum	Good	12			
142	Acer rubrum	Good	15			
143	Acer rubrum	Good	16			
144	Acer rubrum	Good	17			
145	Acer rubrum	Good	9			
146	Acer rubrum	Good	11			
147	Malus sp	Fair	9			
148	Malus sp	Fair	9			
149	Prunus serotina	Fair	15			
150	Sassafras albidum	Fair	17			
151	Sassafras albidum	Fair	15			
152	Sassafras albidum	Poor	9			
153	Acer rubrum	Good	15			
154	Acer rubrum	Good	9			
155	Acer rubrum	Good	8			
156	Liriodendron tulipifera	Good	18			
157	Acer rubrum	Good	9			
158	Acer rubrum	Good	10			
159	Acer rubrum	Fair	9			
160	Acer rubrum	Good	14			
161	Acer rubrum	Good	10			
162	Acer rubrum	Good	10	4		
163	Betula lenta	Good	15			
164	Acer rubrum	Good	8			
165	Betula lenta	Good	13			
166	Quercus velutina	Good	16			
167	Acer rubrum	Fair	11	9		
168	Acer rubrum	Good	10	6		
169	Acer rubrum	Good	15			
170	Acer rubrum	Fair	17			
171	Betula lenta	Good	10			
172	Quercus velutina	Fair	19			
173	Acer rubrum	Fair	14			
174	Betula lenta	Good	9			
175	Betula lenta	Good	8	6		
176	Acer rubrum	Good	9			
177	Acer rubrum	Dead	8			
178	Acer rubrum	Fair	9			
179	Quercus velutina	Fair	24			
180	Betula lenta	Fair	11	10	9	9
181	Betula lenta	Good	9			
182	Acer rubrum	Good	10			
183	Acer rubrum	Good	11			
184	Betula lenta	Fair	9			
185	Betula lenta	Fair	8			
186	Acer rubrum	Good	9			
187	Betula lenta	Poor	10			
188	Betula lenta	Poor	9			
189	Betula lenta	Fair	10			
190	Liriodendron tulipifera	Good	11			
191	Quercus velutina	Poor	12			
192	Betula lenta	Dead	9			
193	Quercus velutina	Fair	19			
194	Quercus velutina	Fair	15			
195	Quercus velutina	Fair	15			
196	Liriodendron tulipifera	Good	19			
197	Liriodendron tulipifera	Good	23			
198	Acer rubrum	Good	10			
199	Betula lenta	Poor	11			
200	Acer rubrum	Good	10			
201	Acer rubrum	Good	9			
202	Betula lenta	Good	9			
203	Acer rubrum	Good	12			
204	Acer rubrum	Good	11			
205	Acer rubrum	Good	9			
206	Betula lenta	Fair	8			
207	Acer rubrum	Good	15			
208	Acer rubrum	Good	11			
209	Acer rubrum	Good	11			
210	Betula lenta	Fair	11			
211	Acer rubrum	Good	15			
212	Acer rubrum	Good	18			
213	Acer rubrum	Good	8			
214	Acer rubrum	Good	11			
215	Sassafras albidum	Poor	13			
216	Betula lenta	Poor	10			
217	Fraxinus americana	Dead	8			
218	Betula lenta	Dead	14			
219	Acer rubrum	Good	8			

220	Acer rubrum	Good	12			
221	Fraxinus americana	Dead	14			
222	Liriodendron tulipifera	Good	13			
223	Betula lenta	Good	8	8	7	
224	Acer rubrum	Good	12			
225	Liriodendron tulipifera	Good	23			
226	Betula lenta	Good	9			
227	Acer rubrum	Good	8			
228	Betula lenta	Good	11	5		
229	Sassafras albidum	Fair	8	7		
230	Prunus serotina	Good	10			
231	Betula lenta	Good	9			
232	Liriodendron tulipifera	Good	12			
233	Acer rubrum	Good	8			
234	Betula lenta	Fair	9			
235	Betula lenta	Good	9			
236	Quercus velutina	Good	15			
237	Betula lenta	Fair	8			
238	Betula lenta	Fair	8			
239	Quercus velutina	Fair	12			
240	Betula lenta	Poor	9			
241	Betula lenta	Fair	10			
242	Betula lenta	Good	9			
243	Acer rubrum	Good	9			
244	Betula lenta	Fair	8			
245	Betula lenta	Good	10			
246	Betula lenta	Poor	10	8		
247	Prunus serotina	Good	11			
248	Betula lenta	Fair	13			
249	Betula lenta	Good	11			
250	Betula lenta	Poor	10			
251	Betula lenta	Good	9			
252	Betula lenta	Fair	8			
253	Betula lenta	Good	8			
254	Betula lenta	Good	11			
255	Betula lenta	Fair	9			
256	Quercus velutina	Good	23			
257	Betula lenta	Fair	18			
258	Betula lenta	Fair	9			
259	Malus sp	Good	9			
260	Quercus rubra	Good	26			
261	Quercus rubra	Fair	13			
262	Betula lenta	Good	8			
263	Fraxinus americana	Good	8			
264	Betula lenta	Good	8	8	7	
265	Betula lenta	Good	9			
266	Betula lenta	Poor	11			
267	Betula lenta	Good	11			
268	Prunus serotina	Good	9			
269	Betula lenta	Fair	8			
270	Betula lenta	Fair	8			
271	Liriodendron tulipifera	Good	22			
272	Betula lenta	Dead	10			
273	Betula lenta	Dead	8			
274	Betula lenta	Poor	8			
275	Betula lenta	Fair	8			
276	Acer rubrum	Good	17			
277	Quercus velutina	Good	10			
278	Betula lenta	Good	9			
279	Acer rubrum	Good	10			
280	Acer palmatum	Fair	10	8	8	
281	Populus deltoides	Good	16			
282	Acer rubrum	Good	11			
283	Acer rubrum	Good	9			
284						

632	Betula lenta	Fair	15		
633	Betula lenta	Fair	10		
634	Fagus grandifolia	Fair	8		
635	Betula lenta	Fair	12		
636	Carya tomentosa	Good	15		
637	Betula lenta	Good	9		
638	Betula lenta	Fair	10		
639	Liriodendron tulipifera	Good	14		
640	Fagus grandifolia	Poor	8		
641	Fagus grandifolia	Poor	9		
642	Acer rubrum	Good	28		
643	Betula lenta	Good	9		
644	Betula lenta	Good	9		
645	Liriodendron tulipifera	Good	18		
646	Alnus incisa	Good	8		
647	Betula lenta	Fair	9		
648	Betula lenta	Good	17		
649	Betula lenta	Poor	14		
650	Betula lenta	Dead	12		
651	Carya glabra	Fair	21		
652	Carya glabra	Good	26		
653	Carya glabra	Good	17		
654	Acer saccharum	Good	13		
655	Carya glabra	Good	14		
656	Fagus grandifolia	Fair	25		
657	Fagus grandifolia	Fair	9		
661	Fagus grandifolia	Good	11		
663	Fagus grandifolia	Poor	9		
664	Ulmus americana	Good	10		
668	Fagus grandifolia	Fair	17		
669	Fagus grandifolia	Fair	12		
670	Fagus grandifolia	Fair	8		
671	Fagus grandifolia	Fair	15		
673	Fagus grandifolia	Poor	13		
674	Nyssa sylvatica	Good	21		
675	Quercus alba	Fair	24		
678	Fagus grandifolia	Fair	22	14	
681	Fagus grandifolia	Dead	9		
682	Fagus grandifolia	Poor	19		
683	Fagus grandifolia	Poor	14		
684	Fagus grandifolia	Poor	8		
685	Fagus grandifolia	Poor	12		
686	Acer rubrum	Poor	20		
687	Fagus grandifolia	Poor	12		
689	Fagus grandifolia	Fair	15		
690	Fagus grandifolia	Poor	13		
691	Fagus grandifolia	Fair	14		
692	Fagus grandifolia	Fair	13		
695	Quercus alba	Good	16		
696	Carya glabra	Good	21		
697	Acer rubrum	Fair	17		
698	Liriodendron tulipifera	Good	25		
699	Fagus grandifolia	Good	12		
700	Betula lenta	Good	13		
701	Betula lenta	Fair	16		
702	Betula lenta	Dead	12		
703	Betula lenta	Good	19		
704	Betula lenta	Good	14		
705	Fagus grandifolia	Fair	8		
706	Betula alleghaniensis	Fair	17		
707	Nyssa sylvatica	Good	19		
708	Nyssa sylvatica	Good	13		
709	Nyssa sylvatica	Good	18		
710	Fagus grandifolia	Fair	9		
711	Fagus grandifolia	Fair	37		
712	Fagus grandifolia	Fair	11		
713	Fagus grandifolia	Fair	10		
714	Fagus grandifolia	Fair	10		
715	Fagus grandifolia	Poor	34		
716	Carya ovata	Good	22		
717	Betula lenta	Poor	10		
718	Betula lenta	Dead	11		
719	Betula lenta	Dead	13		
720	Betula lenta	Good	12		
721	Betula lenta	Dead	11		
722	Betula lenta	Poor	11		
723	Fagus grandifolia	Fair	14		
724	Fagus grandifolia	Fair	9		
725	Fagus grandifolia	Fair	12		
726	Betula lenta	Good	17		
727	Carya glabra	Good	15		
728	Liriodendron tulipifera	Good	9		
729	Liriodendron tulipifera	Good	12		
730	Carya ovata	Good	22		
731	Carya ovata	Good	21		
732	Fagus grandifolia	Fair	12		
734	Fagus grandifolia	Fair	12		
735	Betula lenta	Good	13		
736	Fagus grandifolia	Fair	8		
737	Fagus grandifolia	Poor	24		
738	Fagus grandifolia	Fair	8		
739	Fagus grandifolia	Fair	17		
740	Liriodendron tulipifera	Fair	32		
741	Carya glabra	Fair	25		
742	Betula lenta	Fair	8		
743	Betula lenta	Fair	9		
744	Fagus grandifolia	Poor	17		
745	Fagus grandifolia	Poor	8		
746	Fagus grandifolia	Poor	18		

747	Fagus grandifolia	Poor	9		
748	Fagus grandifolia	Poor	18		
749	Fagus grandifolia	Poor	13		
750	Fagus grandifolia	Poor	15		
751	Fagus grandifolia	Poor	30		
752	Fagus grandifolia	Poor	33		
753	Betula lenta	Fair	12		
754	Betula lenta	Good	15		
755	Betula lenta	Good	20		
756	Betula lenta	Poor	18		
757	Fagus grandifolia	Fair	11		
758	Fagus grandifolia	Fair	12		
759	Betula lenta	Poor	20		
760	Betula lenta	Poor	14		
761	Paulownia tomentosa	Good	18		
762	Alnus incisa	Fair	9		
763	Alnus incisa	Fair	10		
764	Paulownia tomentosa	Fair	11		
765	Acer rubrum	Fair	8		
766	Fagus grandifolia	Fair	10		
767	Fagus grandifolia	Fair	22		
768	Fagus grandifolia	Poor	20		
769	Paulownia tomentosa	Good	14		
770	Acer rubrum	Good	15		
771	Ulmus americana	Good	11		
772	Carya glabra	Good	25		
773	Fagus grandifolia	Fair	11		
774	Carya glabra	Good	31		
775	Fagus grandifolia	Fair	9		
776	Liriodendron tulipifera	Good	16		
777	Carya glabra	Good	12		
778	Betula lenta	Poor	22		
779	Fagus grandifolia	Fair	16		
780	Fagus grandifolia	Poor	12		
781	Fagus grandifolia	Poor	26		
782	Fagus grandifolia	Fair	14		
783	Fagus grandifolia	Poor	8		
784	Betula lenta	Poor	21		
785	Quercus alba	Good	15		
786	Betula lenta	Good	13		
787	Fagus grandifolia	Poor	19		
788	Fagus grandifolia	Poor	14		
789	Fagus grandifolia	Poor	10		
790	Carya glabra	Good	19		
791	Fagus grandifolia	Fair	19		
792	Betula lenta	Poor	22		
793	Fagus grandifolia	Poor	8	3	2
794	Nyssa sylvatica	Good	11		
795	Fagus grandifolia	Poor	9		
796	Fagus grandifolia	Poor	9		
797	Fagus grandifolia	Poor	15		
798	Fagus grandifolia	Poor	18		
799	Fagus grandifolia	Poor	14		
800	Fagus grandifolia	Poor	8		
801	Fagus grandifolia	Poor	15		
802	Fagus grandifolia	Poor	18		
803	Fagus grandifolia	Poor	14		
804	Fagus grandifolia	Poor	8		
805	Fagus grandifolia	Poor	8		
806	Fagus grandifolia	Poor	27		
807	Betula lenta	Dead	8		
808	Fagus grandifolia	Fair	12		
809	Fagus grandifolia	Fair	15		
810	Betula lenta	Poor	15		
811	Fagus grandifolia	Fair	8		
812	Acer rubrum	Poor	15		
813	Acer rubrum	Poor	17		
814	Fagus grandifolia	Poor	15		
817	Acer rubrum	Fair	12		
818	Betula lenta	Good	14		
819	Nyssa sylvatica	Poor	18		
820	Fagus grandifolia	Poor	10		
821	Fagus grandifolia	Poor	19		
822	Carya glabra	Good	15		
823	Carya glabra	Good	8		
824	Fagus grandifolia	Good	8		
825	Carya glabra	Fair	28		
826	Fagus grandifolia	Poor	11		
827	Fagus grandifolia	Poor	23		
828	Fagus grandifolia	Poor	11		
829	Fagus grandifolia	Poor	9		
830	Fagus grandifolia	Poor	14		
831	Fagus grandifolia	Poor	13		
832	Betula lenta	Dead	8		
833	Betula lenta	Fair	15		
834	Fagus grandifolia	Poor	17		
835	Fagus grandifolia	Poor	23		
836	Betula lenta	Good	9		
837	Quercus alba	Fair	24		
838	Nyssa sylvatica	Good	15		
839	Quercus alba	Good	21		
840	Quercus alba	Dead	24		
841	Quercus alba	Fair	30		
842	Acer rubrum	Good	16		
843	Betula lenta	Good	8		
844	Betula lenta	Fair	8		
845	Carya glabra	Good	18		
846	Ulmus americana	Poor	9		
847	Carya glabra	Poor	24		
848	Fagus grandifolia	Fair	13		
849	Fagus grandifolia	Poor	12		
850	Carya glabra	Good	22		
851	Nyssa sylvatica	Good	15		
852	Betula lenta	Good	9		
853	Acer rubrum	Good	19		
854	Acer rubrum	Good	9		

855	Fagus grandifolia	Poor	9		
856	Fagus grandifolia	Fair	15		
857	Fagus grandifolia	Poor	15		
858	Fagus grandifolia	Fair	14		
859	Betula lenta	Good	19		
860	Betula lenta	Good	9		
861	Alnus incisa	Good	8		
862	Alnus incisa	Fair	10		
863	Fagus grandifolia	Poor	10		
864	Alnus incisa	Poor	11		
865	Alnus incisa	Fair	10		
866	Betula lenta	Good	13		
867	Betula lenta	Good	11		
868	Acer rubrum	Good	8		
869	Fagus grandifolia	Poor	10		
870	Fagus grandifolia	Dead	31		
871	Fagus grandifolia	Good	11		
872	Betula lenta	Good	13		
873	Betula lenta	Dead	11		
874	Acer rubrum	Good	17		
875	Betula lenta	Good	25		
876	Fagus grandifolia	Fair	12		
877	Fagus grandifolia	Fair	22		
878	Fagus grandifolia	Poor	20		
879	Paulownia tomentosa	Good	14		
880	Acer rubrum	Good	15		
881	Ulmus americana	Good	11		
882	Betula lenta	Good	13		
883	Betula lenta	Dead	11		
884	Acer rubrum	Good	15		
885	Acer rubrum	Good	15		
886	Betula lenta	Good	13		
887	Betula lenta	Dead	11		
888	Acer rubrum	Good	17		
889	Betula lenta	Good	25		
890	Fagus grandifolia	Fair	12		
891	Fagus grandifolia	Fair	10		
892	Fagus grandifolia	Fair	22		
893	Fagus grandifolia	Poor	20		
894	Carya glabra	Good	31		
895	Carya glabra	Good	25		
896	Fagus grandifolia	Fair	11		
897	Fagus grandifolia	Fair	14		
898	Tragus arvensis	Fair	14		
899	Carya glabra	Good	19		
900	Fagus grandifolia	Fair	23		
901	Fagus grandifolia	Poor	10		
902	Fagus grandifolia	Poor	13		
903	Fagus grandifolia	Fair	13	12	
904	Paulownia tomentosa	Fair	13		
905	Carya glabra	Good	10		
906	Acer rubrum	Poor	8		
907	Acer rubrum	Good	17		
908	Carya glabra	Fair	14	11	
909	Acer rubrum	Good	13		
910	Acer rubrum	Good	13		
911	Acer rubrum	Good	13		
912	Acer rubrum	Good	13		
913	Acer rubrum	Good	13		
914	Acer rubrum	Good	13		
915	Acer rubrum	Fair	14		
916	Acer rubrum	Good	16		
917	Acer rubrum	Good	11		
918	Acer rubrum	Good	8		
919	Acer rubrum	Good	8		
920	Acer rubrum	Fair	15		
921	Acer rubrum	Good	12		
922	Acer rubrum	Good	13		
923	Fraxinus americana	Dead	19		
924	Betula lenta	Good	13		
925	Acer rubrum	Fair	11		
926	Fagus grandifolia	Fair	13		
927	Betula lenta	Poor	12		
928	Betula lenta	Dead	11		
929	Carya glabra	Good	33		
930	Acer rubrum	Fair	18		
931	Acer rubrum	Fair	9		
932	Carya glabra	Good	27		
933	Carya glabra	Good	14		
934	Acer rubrum	Good	9		
935	Fagus grandifolia	Poor	9		
936	Betula lenta	Dead	16		
937	Betula lenta	Good	16		

1272	Quercus	Good	18		
1273	Betula lenta	Fair	13		
1274	Betula lenta	Fair	9		
1275	Makus sp	Good	11		
1276	Quercus rubra	Good	11		
1277	Quercus rubra	Fair	9		
1278	Betula lenta	Good	10		
1279	Betula lenta	Good	9		
1280	Betula lenta	Good	11		
1281	Betula lenta	Good	13		
1282	Betula lenta	Poor	13		
1283	Betula lenta	Good	26		
1284	Prunus serotina	Good	9		
1285	Betula lenta	Fair	12		
1286	Betula lenta	Fair	16		
1287	Liriodendron tulipifera	Good	14		
1288	Betula lenta	Dead	13		
1289	Betula lenta	Dead	13		
1290	Betula lenta	Poor	11		
1291	Betula lenta	Fair	11		
1292	Acer rubrum	Good	12		
1293	Quercus velutina	Good	8		
1294	Betula lenta	Good	12		
1295	Acer rubrum	Good	12		
1296	Acer rubrum	Fair	8		
1297	Populus deltoides	Good	20		
1298	Acer rubrum	Good	17		
1299	Acer rubrum	Good	8		
1300	Quercus alba	Good	19		
1301	Fraxinus americana	Dead	10		
1302	Acer rubrum	Good	18		
1303	Quercus velutina	Good	21		
1304	Quercus velutina	Good	19		
1305	Populus deltoides	Poor	12		
1306	Fraxinus americana	Dead	30		
1307	Acer rubrum	Good	24		
1308	Quercus velutina	Good	10		
1309	Quercus alba	Good	21		
1310	Acer rubrum	Poor	19		
1311	Acer rubrum	Good	9		
1312	Acer rubrum	Good	20		
1313	Acer rubrum	Good	18		
1314	Quercus velutina	Good	9		
1315	Sassafras albidum	Good	11		
1316	Betula lenta	Good	13		
1317	Acer rubrum	Good	16		
1318	Liriodendron tulipifera	Fair	11		
1319	Quercus velutina	Good	10		
1320	Sassafras albidum	Good	11		
1321	Sassafras albidum	Fair	13		
1322	Sassafras albidum	Good	8		
1323	Sassafras albidum	Fair	12		
1324	Sassafras albidum	Fair	21		
1325	Sassafras albidum	Fair	15		
1326	Acer rubrum	Poor	14		
1327	Fraxinus americana	Dead	12		
1328	Acer rubrum	Good	12		
1329	Acer rubrum	Good	14		
1330	Acer rubrum	Good	20		
1331	Quercus velutina	Good	17		
1332	Quercus velutina	Good	12		
1333	Quercus velutina	Good	10		
1334	Quercus velutina	Fair	17		
1335	Acer rubrum	Good	28		
1336	Acer rubrum	Good	18		
1337	Acer rubrum	Good	17		
1338	Acer rubrum	Good	28		
1339	Acer rubrum	Fair	18		
1340	Quercus velutina	Good	10		
1341	Quercus velutina	Fair	17		
1342	Acer rubrum	Good	17		
1343	Acer rubrum	Good	18		
1344	Acer rubrum	Good	10		
1345	Acer rubrum	Good	8		
1346	Acer rubrum	Good	17		
1347	Acer rubrum	Good	28		
1348	Acer rubrum	Fair	18		
1349	Quercus velutina	Good	10		
1350	Acer rubrum	Fair	8		
1351	Liriodendron tulipifera	Good	17		
1352	Liriodendron tulipifera	Good	15		
1353	Acer rubrum	Good	27		
1354	Acer rubrum	Good	8		
1355	Prunus serotina	Good	19		
1356	Liriodendron tulipifera	Good	8		
1357	Acer rubrum	Good	16		
1358	Acer rubrum	Fair	16		
1359	Acer rubrum	Good	11		
1360	Acer rubrum	Good	11		
1361	Acer rubrum	Good	24		
1362	Acer rubrum	Fair	31		
1363	Acer rubrum	Good	20		
1364	Liriodendron tulipifera	Good	18		
1365	Acer rubrum	Good	14		
1366	Acer rubrum	Good	13		
1367	Quercus velutina	Good	11		
1368	Acer rubrum	Fair	28		
1369	Acer rubrum	Good	9		
1370	Acer rubrum	Good	17		
1371	Makus sp	Good	13		
1372	Makus sp	Fair	15		
1373	Sassafras albidum	Fair	15		
1374	Sassafras albidum	Fair	17		
1375	Sassafras albidum	Dead	9		
1376	Acer rubrum	Good	17		
1377	Acer rubrum	Good	8		
1378	Fraxinus americana	Dead	9		
1379	Acer rubrum	Fair	21		

1380	Acer rubrum	Fair	15		
1381	Fraxinus americana	Dead	14		
1382	Acer rubrum	Fair	9		
1383	Acer rubrum	Good	15		
1384	Acer rubrum	Good	23		
1385	Acer rubrum	Good	19		
1386	Fraxinus americana	Dead	10		
1387	Liriodendron tulipifera	Good	19		
1388	Acer rubrum	Good	12		
1389	Acer rubrum	Good	14		
1390	Acer rubrum	Good	9		
1391	Fraxinus americana	Dead	11		
1392	Sassafras albidum	Good	20		
1393	Acer rubrum	Poor	10		
1394	Acer rubrum	Good	13		
1395	Acer rubrum	Good	15		
1396	Acer rubrum	Good	11		
1397	Acer rubrum	Good	11	12	
1398	Acer rubrum	Fair	12		
1399	Acer rubrum	Fair	18		
1400	Platanus occidentalis	Poor	12		
1401	Acer rubrum	Good	16		
1402	Acer rubrum	Fair	12		
1403	Acer rubrum	Good	7		
1404	Quercus alba	Fair	16		
1405	Quercus alba	Fair	18		
1406	Sassafras albidum	Good	13		
1407	Acer rubrum	Good	13		
1408	Sassafras albidum	Good	11		
1409	Acer rubrum	Poor	13		
1410	Quercus rubra	Fair	18		
1411	Acer rubrum	Good	14		
1412	Acer rubrum	Good	29		
1413	Sassafras albidum	Good	10		
1414	Sassafras albidum	Good	9		
1415	Acer rubrum	Poor	10		
1416	Acer rubrum	Good	9		
1417	Acer rubrum	Good	19		
1418	Fraxinus americana	Poor	15		
1419	Acer rubrum	Good	8		
1420	Acer rubrum	Good	13		
1421	Acer rubrum	Good	11		
1422	Acer rubrum	Poor	21		
1423	Acer rubrum	Good	10		
1424	Acer rubrum	Good	11		
1425	Acer rubrum	Good	9		
1426	Acer rubrum	Poor	11		
1427	Acer rubrum	Good	15		
1428	Acer rubrum	Good	14		
1429	Acer rubrum	Fair	12		
1430	Fraxinus americana	Poor	10		
1431	Acer rubrum	Good	9		
1432	Acer rubrum	Poor	22		
1433	Paulownia tomentosa	Fair	11		
1434	Platanus occidentalis	Good	14		
1435	Platanus occidentalis	Good	18		
1436	Platanus occidentalis	Good	9		
1437	Quercus velutina	Good	11		
1438	Acer rubrum	Good	8		
1439	Acer rubrum	Good	20		
1440	Acer rubrum	Good	13		
1441	Nyssa sylvatica	Good	12		
1442	Acer rubrum	Dead	8		
1443	Acer rubrum	Dead	10		
1444	Acer rubrum	Dead	10		
1445	Nyssa sylvatica	Good	9		
1446	Nyssa sylvatica	Good	12		
1447	Betula lenta	Poor	8		
1448	Acer rubrum	Fair	14		
1449	Acer rubrum	Poor	9		
1450	Prunus serotina	Poor	16		
1451	Acer rubrum	Dead	23		
1452	Acer rubrum	Dead	13		
1453	Acer rubrum	Dead	12		
1454	Acer rubrum	Dead	17		
1455	Quercus velutina	Dead	10		
1456	Acer rubrum	Dead	19		
1457	Sassafras albidum	Good	9		
1458	Quercus velutina	Good	8		
1459	Acer rubrum	Good	10		
1460	Carya glabra	Good	11		
1461	Betula lenta	Good	15		
1462	Betula lenta	Fair	11		
1463	Betula lenta	Fair	8		
1464	Betula lenta	Fair	27		
1465	Quercus velutina	Good	15		
1466	Acer rubrum	Good	21		
1467	Quercus velutina	Good	10		
1468	Nyssa sylvatica	Good	14		
1469	Liriodendron tulipifera	Good	13		
1470	Acer rubrum	Fair	15		
1471	Acer rubrum	Good	11		
1472	Prunus serotina	Fair	11		
1473	Acer rubrum	Good	8		
1474	Liriodendron tulipifera	Good	13		
1475	Betula lenta	Good	26		
1476	Betula lenta	Good	11		

1477	Acer rubrum	Good	15		
1478	Acer rubrum	Good	9		
1479	Acer rubrum	Good	12		
1480	Acer rubrum	Good	8		
1481	Acer rubrum	Good	18		
1482	Acer rubrum	Fair	11		
1483	Acer rubrum	Good	14		
1484	Betula lenta	Fair	11		
1485	Betula lenta	Good	19		
1486	Acer rubrum	Good	12		
1487	Acer rubrum	Good	14		
1488	Quercus velutina	Fair	10		
1489	Carya glabra	Good	8		
1490	Acer rubrum	Good	12		
1491	Acer rubrum	Good	12		
1492	Carya glabra	Good	9		
1493	Acer rubrum	Good	19		
1494	Betula lenta	Good	9		
1495	Liriodendron tulipifera	Good	14		
1496	Liriodendron tulipifera	Poor	16		
1497	Liriodendron tulipifera	Good	11		
1498	Acer rubrum	Good	20		
1499	Liriodendron tulipifera	Good	10		
1500	Alnus incana	Good	13		
1501	Betula lenta	Good	17		
1502	Prunus serotina	Fair	24		
1503	Acer rubrum	Fair	20		
1504	Acer rubrum	Good	26		
1505	Acer rubrum	Good	13		
1506	Carya glabra	Good	16		
1507	Carya glabra	Good	9		
1508	Acer rubrum	Good	8		
1509	Acer rubrum	Good	19		
1510	Carya glabra	Good	21		
1511	Acer rubrum	Good	28		
1512	Acer rubrum	Good	16		
1513	Betula lenta	Good	21		
1514	Betula lenta	Good	13		
1515	Sassafras albidum	Fair	16		
1516	Carya glabra	Good	10		
1517	Acer rubrum	Good	13		
1518	Ulmus americana	Dead	9		
1519	Betula lenta	Good	12		
1520	Acer rubrum	Poor	19		
1521	Betula lenta	Good	11		
1522	Betula lenta	Good	8		
1523	Betula lenta	Dead	9		
1524	Acer rubrum	Good	13		
1525	Quercus velutina	Good	12		
1526	Liriodendron tulipifera	Good	18		
1527	Carya glabra	Good	12		
1528	Betula lenta	Good	11		
1529	Betula lenta	Good	11		
1530	Betula lenta	Good	13		
1531	Betula lenta	Good	11		
1532	Betula lenta	Fair	13		
1533	Betula lenta	Good	12		
1534	Quercus rubra	Good	12		
1535	Betula lenta	Poor	9		
1536	Betula lenta	Good	23		
1537	Quercus rubra	Good	10		
1538	Betula lenta	Good	9		
1539	Quercus velutina	Good	18		
1540	Liriodendron tulipifera	Dead	12		
1541	Acer rubrum	Dead	13		
1542	Acer rubrum	Fair	13		
1543	Acer rubrum	Fair	10		
1544	Acer rubrum	Poor	23		
1545	Acer rubrum	Poor	8		
1546	Acer rubrum	Poor	23		
1547	Liriodendron tulipifera	Poor	17		
1548	Acer rubrum	Good	13		
1549	Acer rubrum	Fair	10		
1550	Acer rubrum	Good	14		
1551	Acer rubrum	Poor	9		
1552	Acer rubrum	Poor	1		

